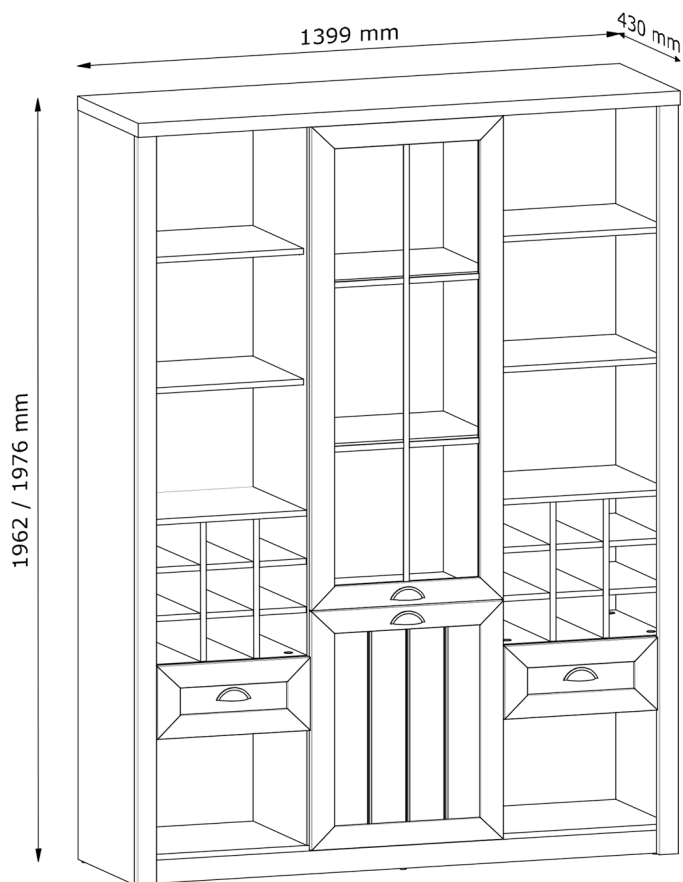
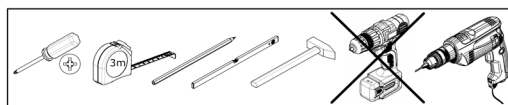
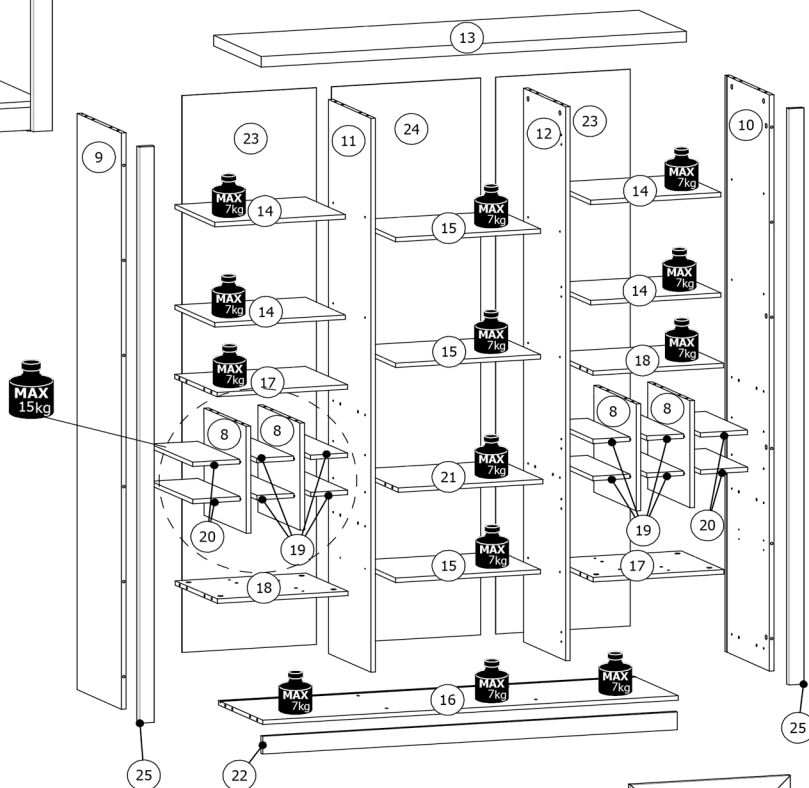


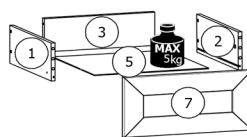
# W2D2S GN/GY/SA



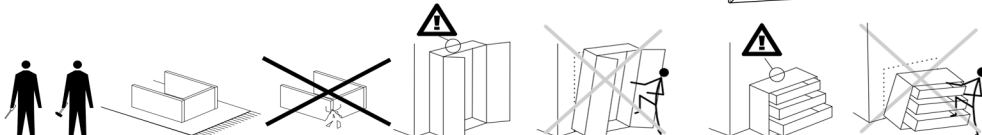
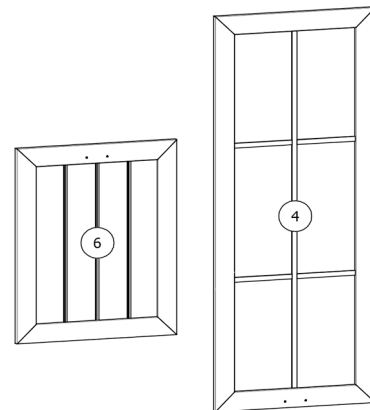
nr	L[mm]	W[mm]	H[mm]	PCS	BOX
1	352	120	12	2	3/3
2	352	120	12	2	3/3
3	342	105	15	2	3/3
4	495	1252	18	1	1/3
5	356	353	2,5	2	2/3
6	618	495	18	1	1/3
7	189	395	18	2	2/3
8	360	381	15	4	2/3
9	1940	400	15	1	3/3
10	1940	400	15	1	3/3
11	1865	382	15	1	2/3
12	1865	382	15	1	2/3
13	1399	430	22/36	1	1/3
14	429	360	15	4	3/3
15	476	360	15	3	2/3
16	1366	400	15	1	3/3
17	430	382	15	2	1/3
18	430	382	15	2	1/3
19	121	380	15	8	2/3
20	155	380	15	4	2/3
21	476	382	15	1	2/3
22	1364	60	15	1	1/3
23	1875	442	2,5	2	3/3
24	1875	490	2,5	1	3/3
25	1940	50	22	2	3/3



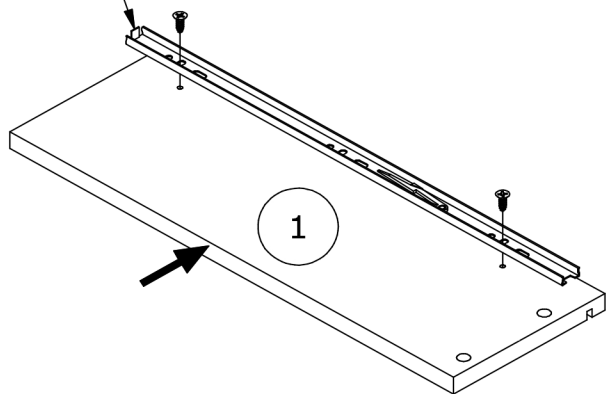
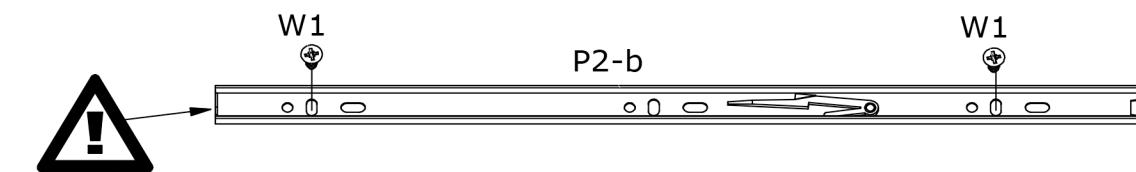
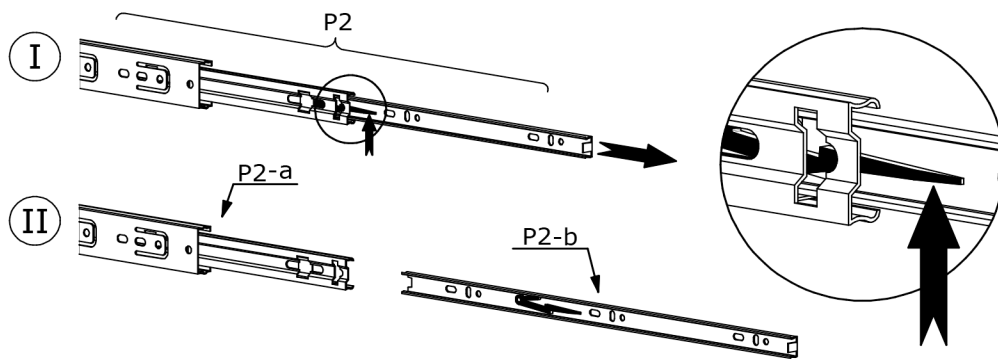
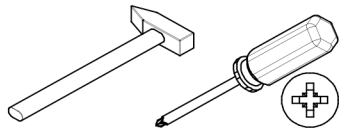
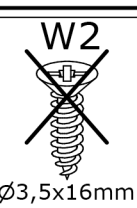
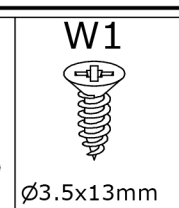
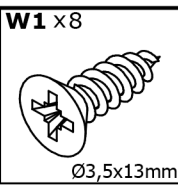
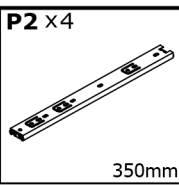
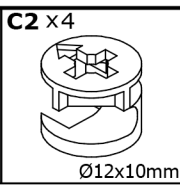
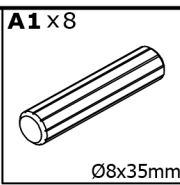
<b>A1</b> x64 Ø8x35mm	<b>B1</b> x60 Ø5x38mm	<b>C1</b> x56 Ø15x12mm	<b>C2</b> x4 Ø12x10mm	<b>E1</b> x76 Ø5x16mm
<b>F2</b> x4 40mm	<b>G1</b> x22 26mm	<b>G2</b> x22 14x14mm	<b>G3</b> x22 22x10mm	<b>J</b> x56 Ø21mm
<b>K1</b> x12 Ø6,4x50mm	<b>N2</b> x1 4mm HEX	<b>P2</b> x4 350mm	<b>R1</b> x4 24x24x19mm	<b>T4</b> x2 75x28x16 mm
<b>U3</b> x4 92x33mm	<b>W1</b> x12 Ø3,5x13mm	<b>W2</b> x60 Ø3,5x16mm	<b>W5</b> x4 Ø4x30mm	<b>X2</b> x4 M4x16mm
<b>X3</b> x4 M4x22mm	<b>Y1</b> x8 Ø8x1,5mm	<b>Y2</b> x7 Ø16mm	<b>Z1</b> x5 50x40, H=2	<b>Z4</b> x5 Ø35mm, ZK9



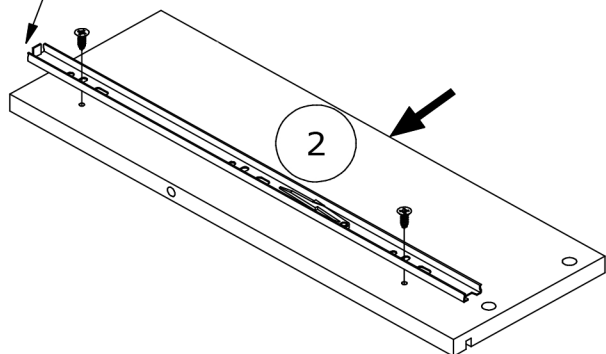
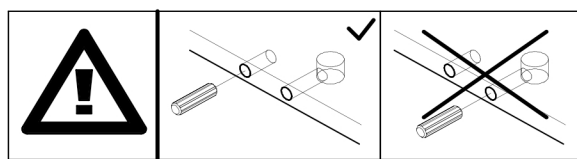
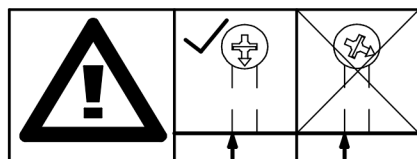
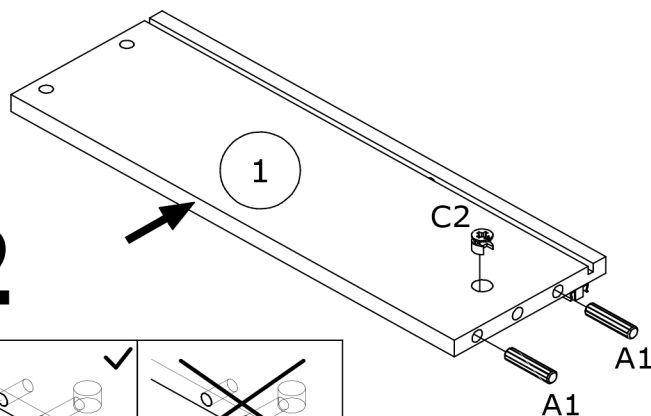
**x2**



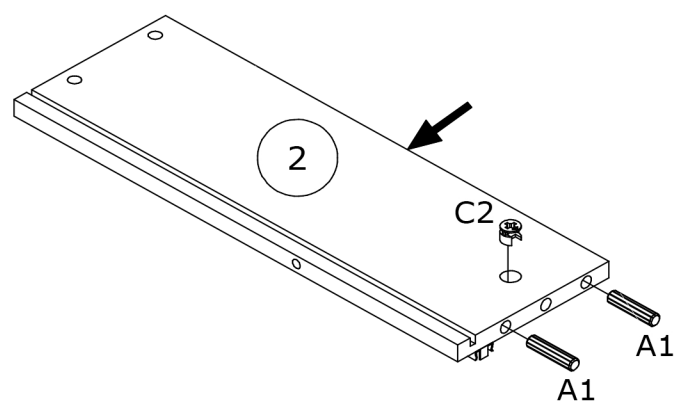
**1**



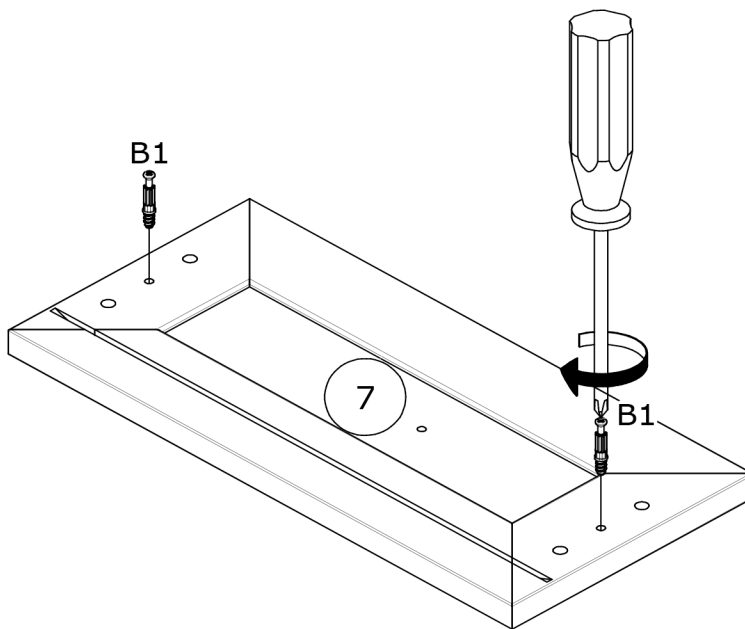
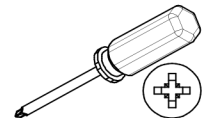
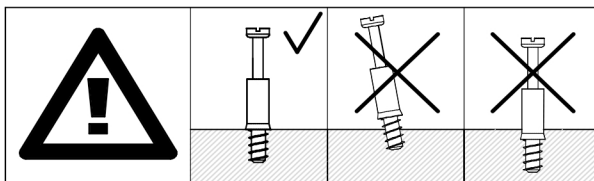
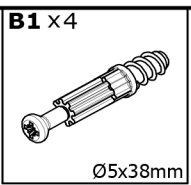
**x2**



**x2**

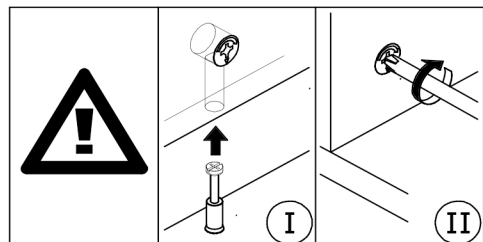
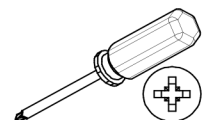
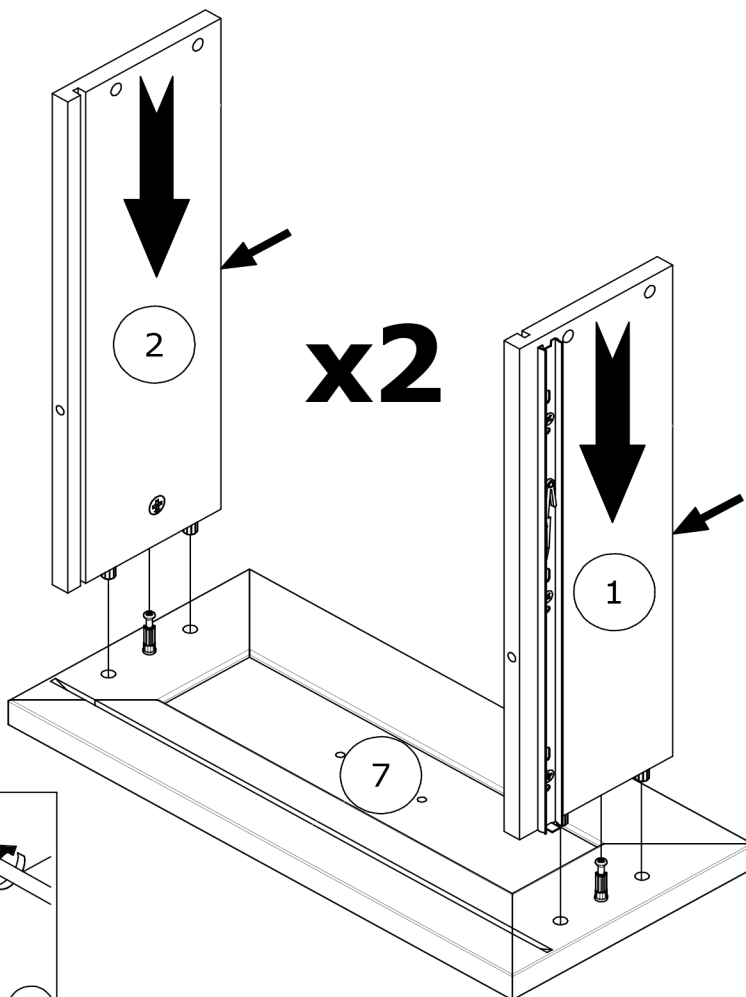


2

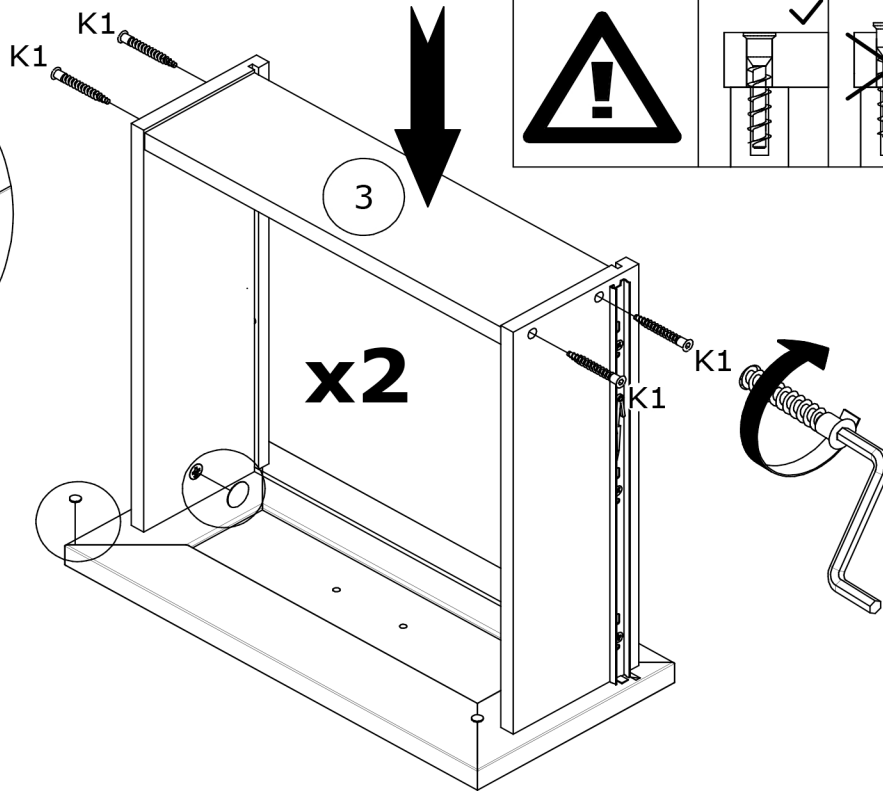
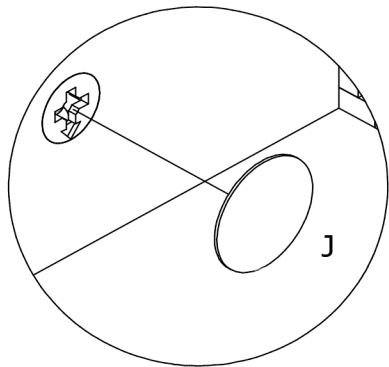
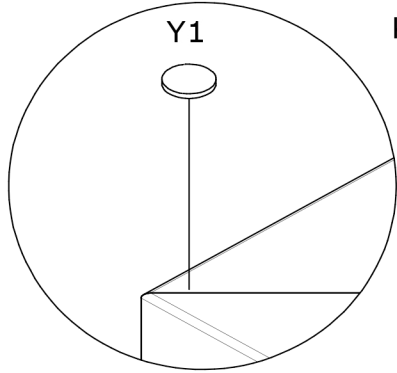
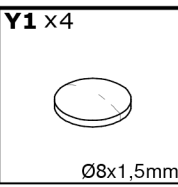
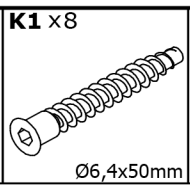
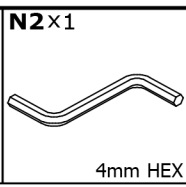
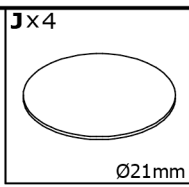


x2

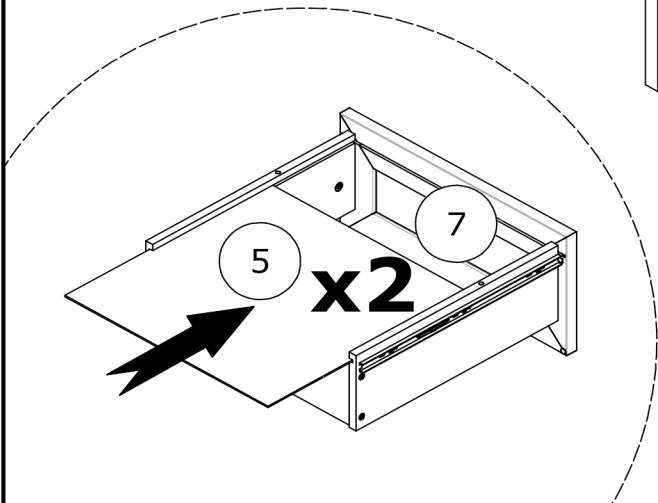
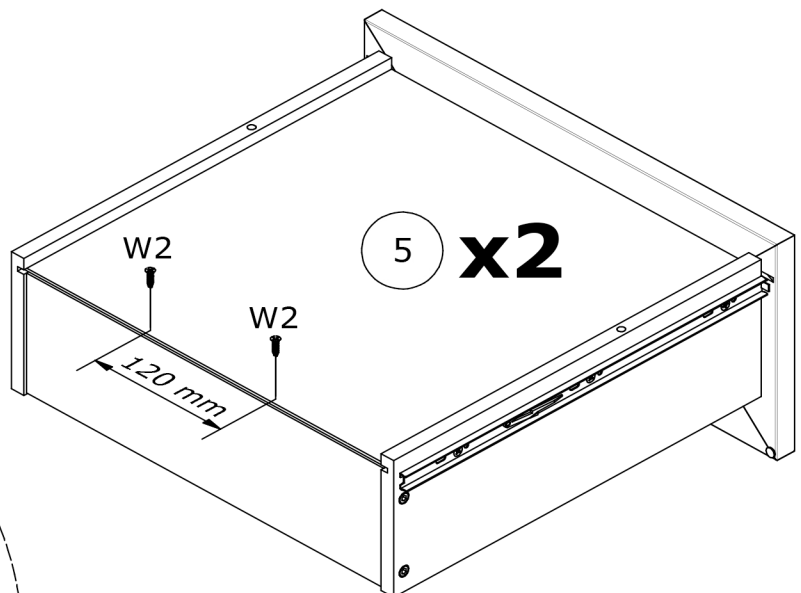
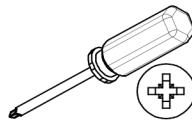
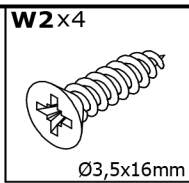
3



**4**

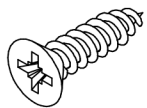


**5**



# 6

W2 x 10



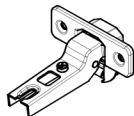
Ø3,5x16mm

Y1 x 4

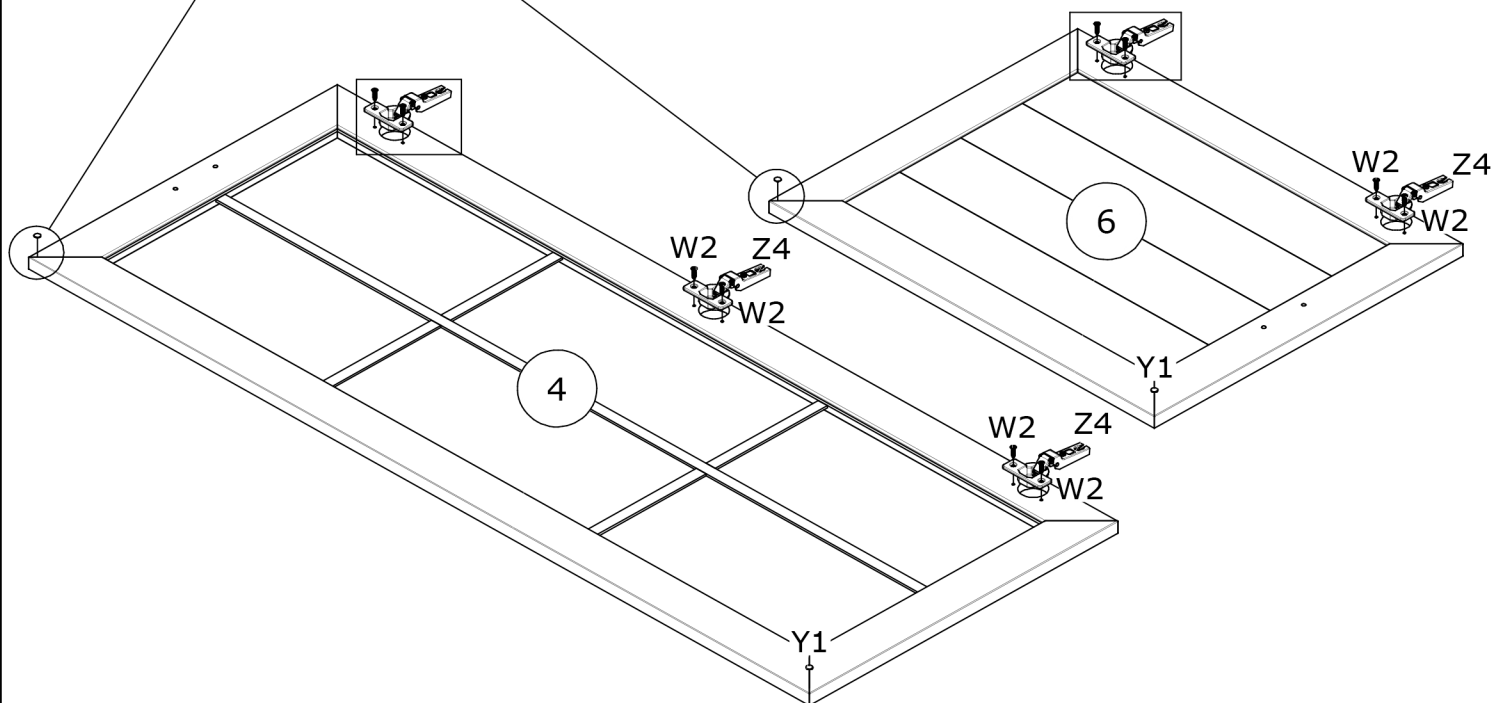
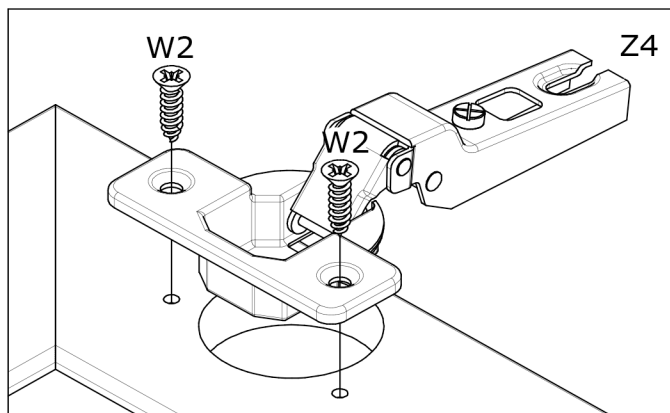
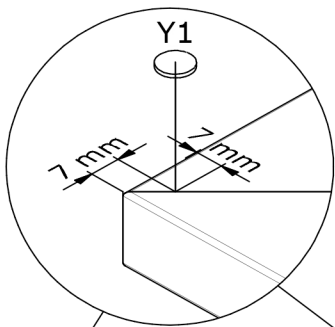
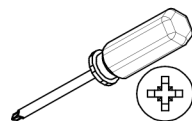


Ø8x1,5mm

Z4 x 5

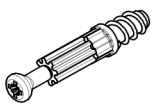


Ø35mm, ZK9

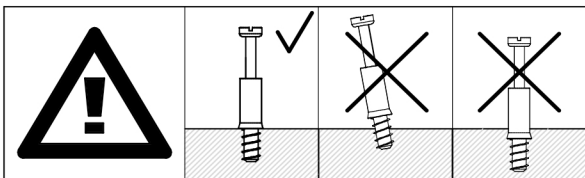
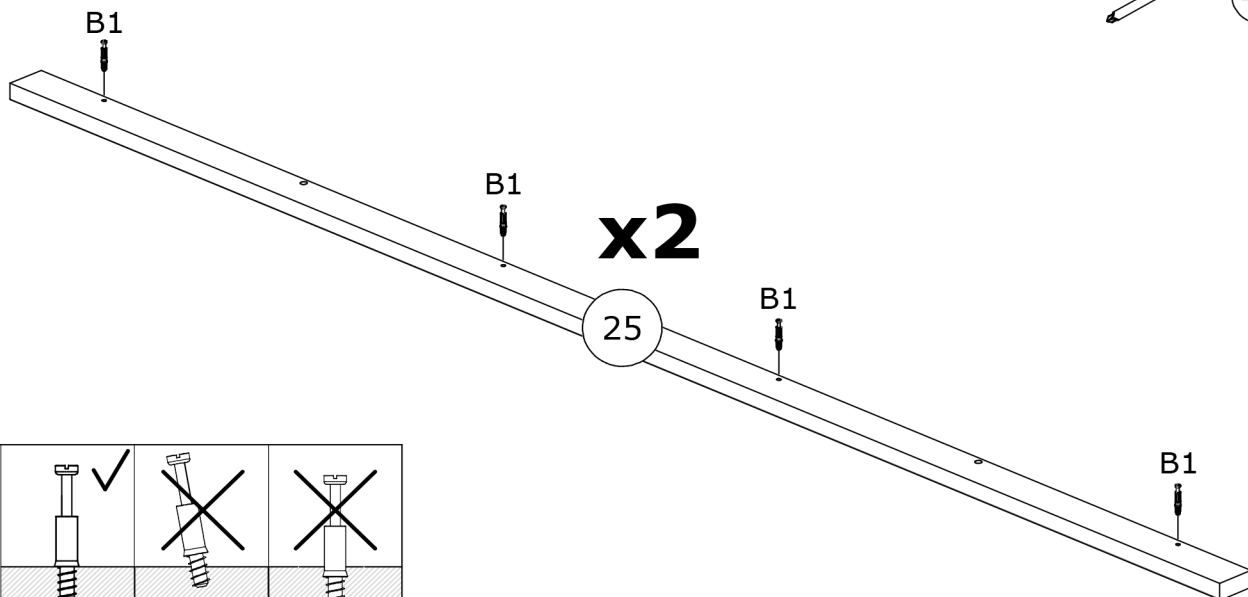
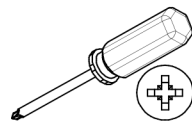


# 7

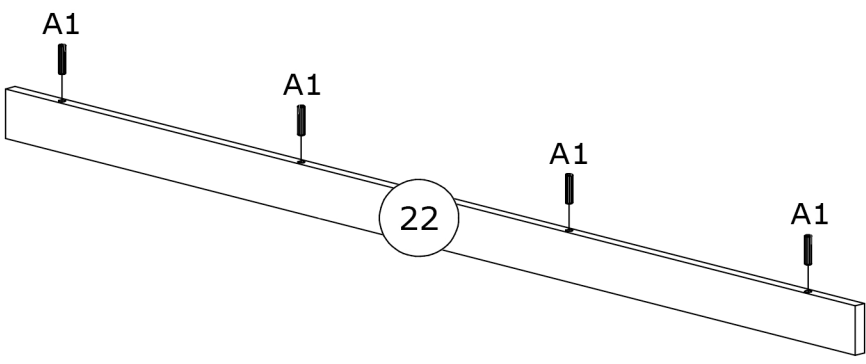
B1 x 8



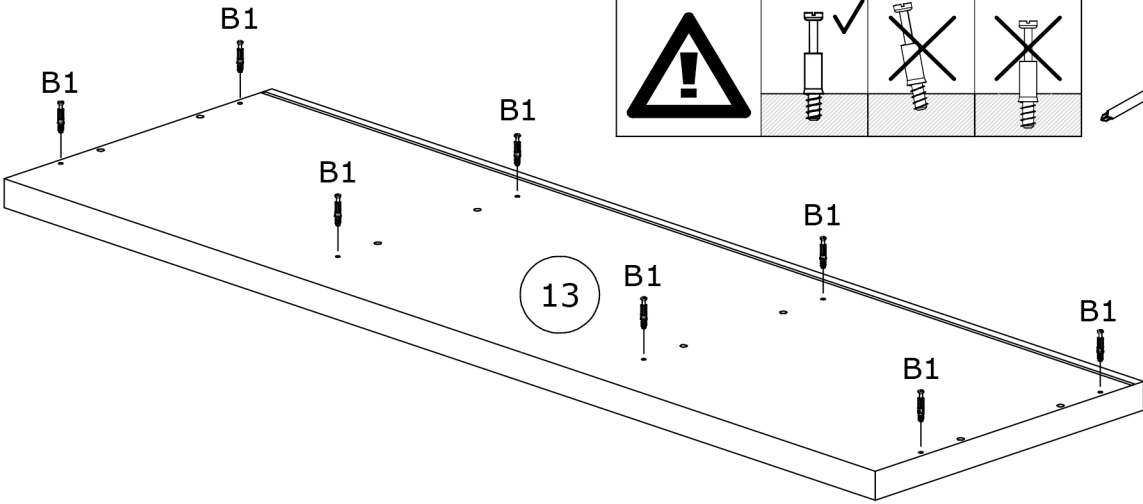
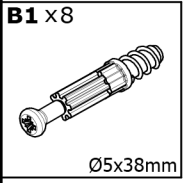
Ø5x38mm



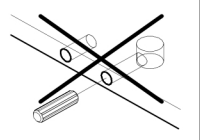
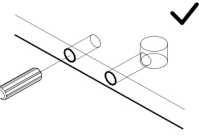
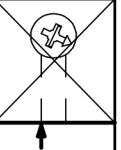
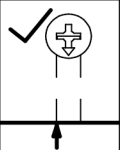
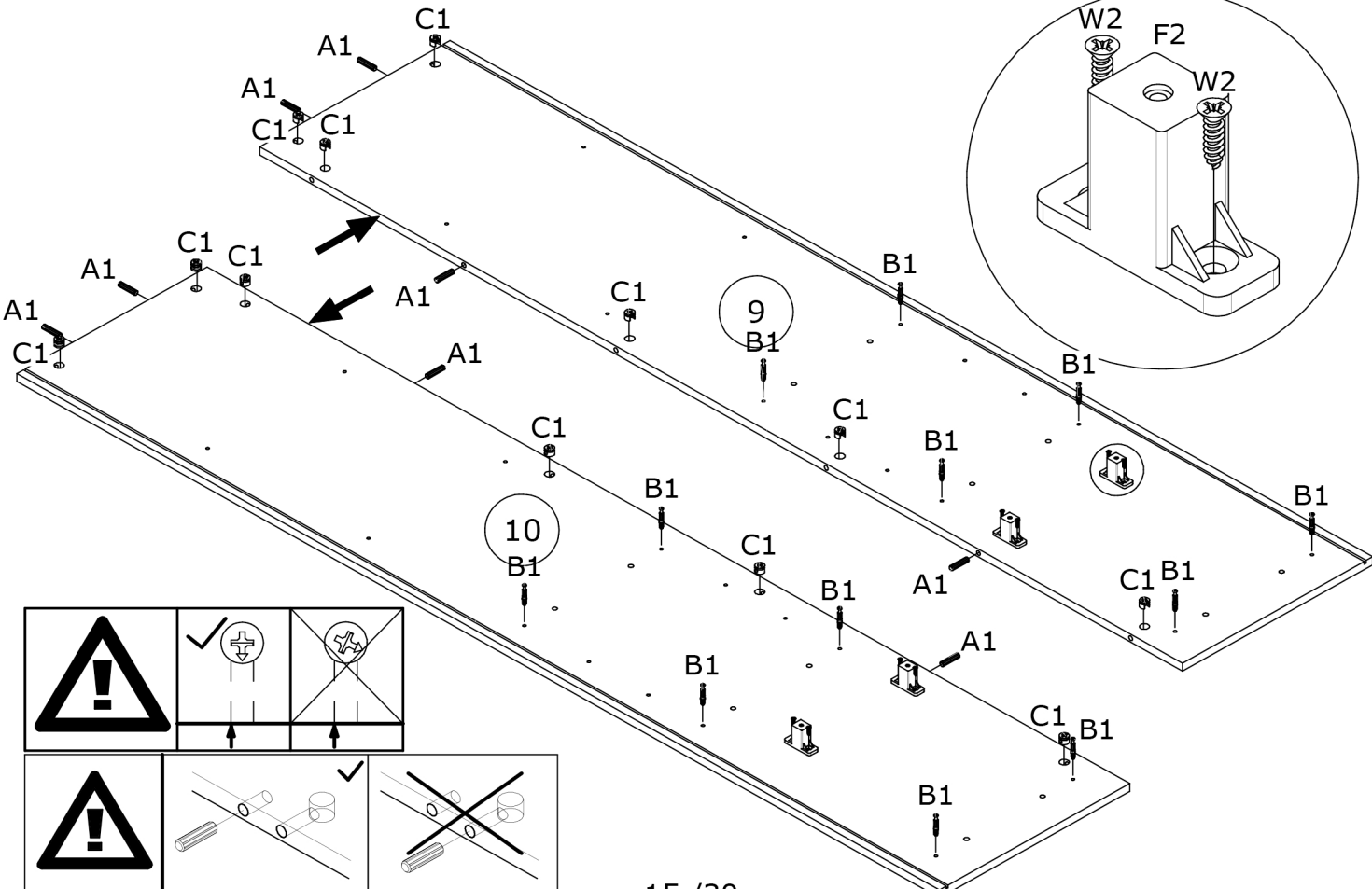
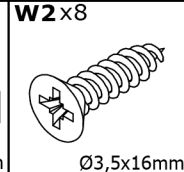
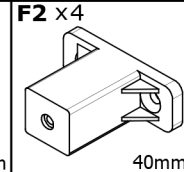
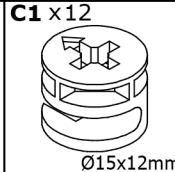
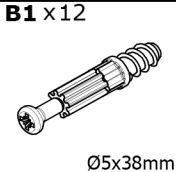
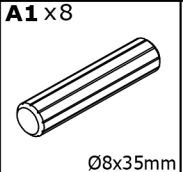
8



9

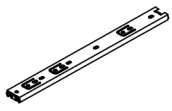


10



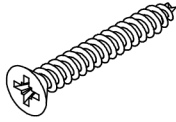
**11**

P2-a x2

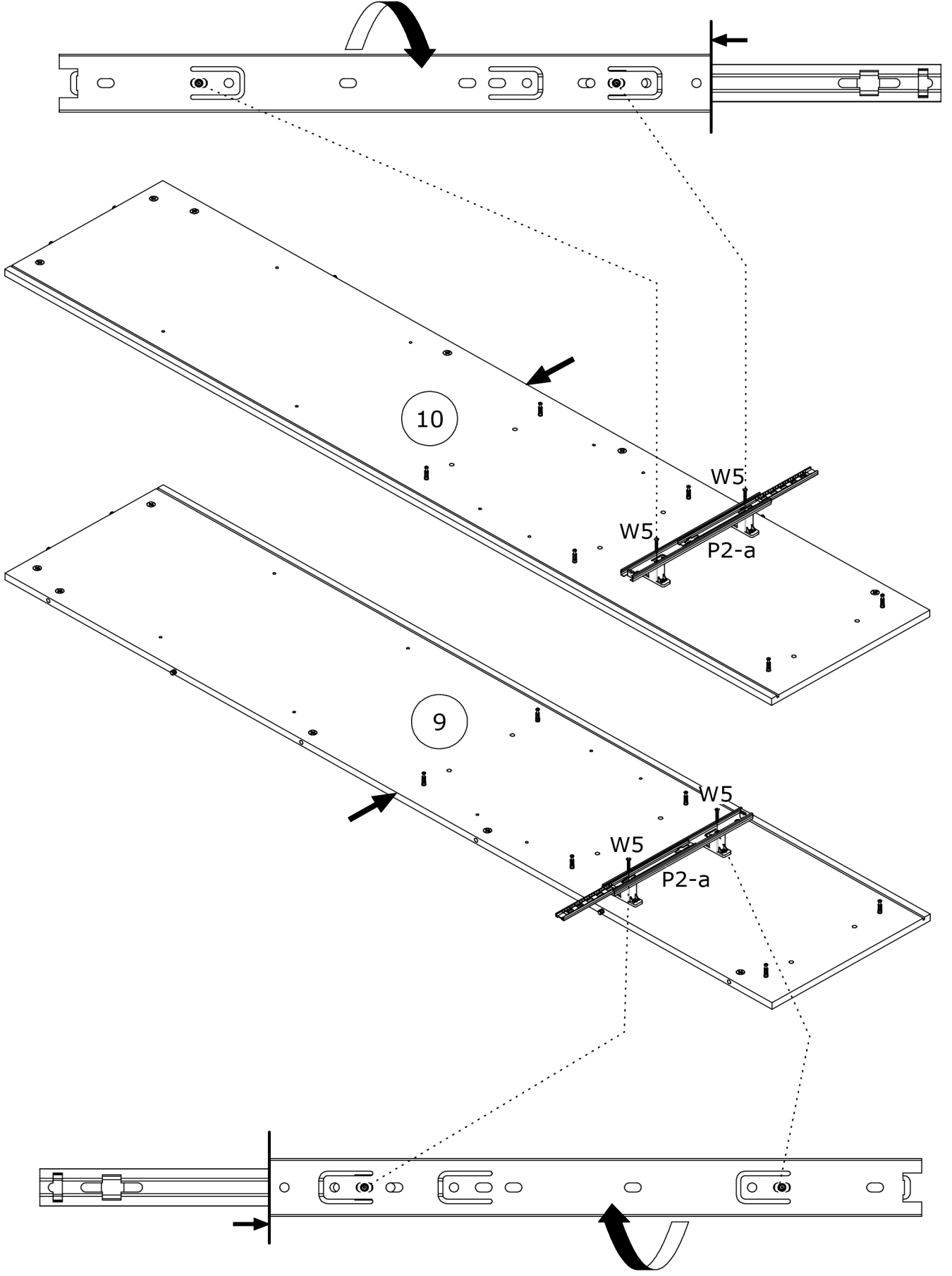
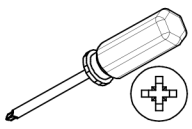


350mm

W5 x4

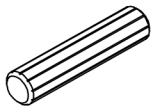


Ø4x30mm



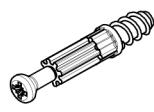
# 12

A1 x16



Ø8x35mm

B1 x16

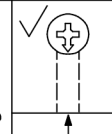
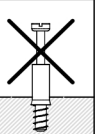
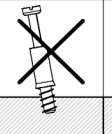
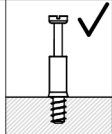
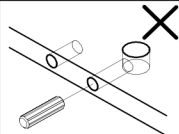
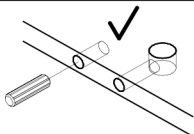
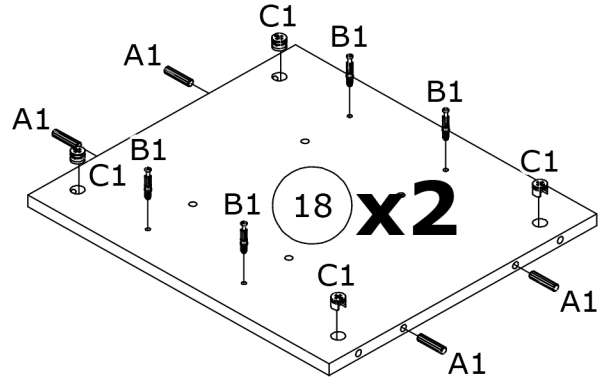
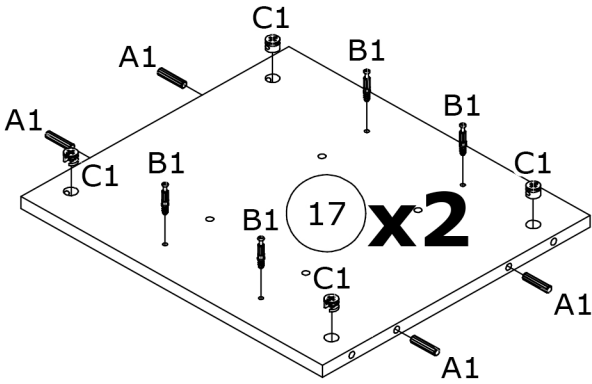
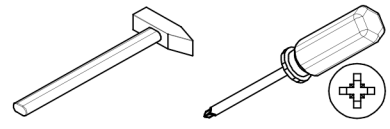


Ø5x38mm

C1 x16

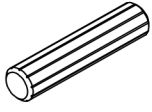


Ø15x12mm



# 13

A1 x16

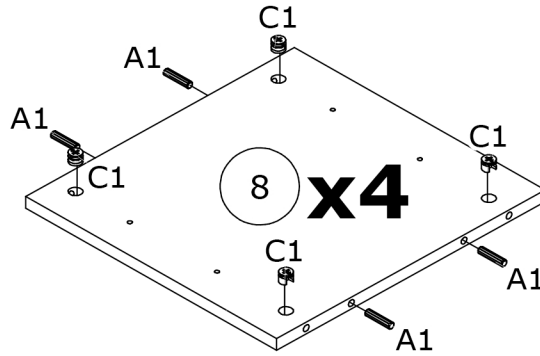
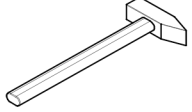


Ø8x35mm

C1 x16

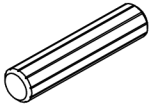


Ø15x12mm



# 14

A1 x4

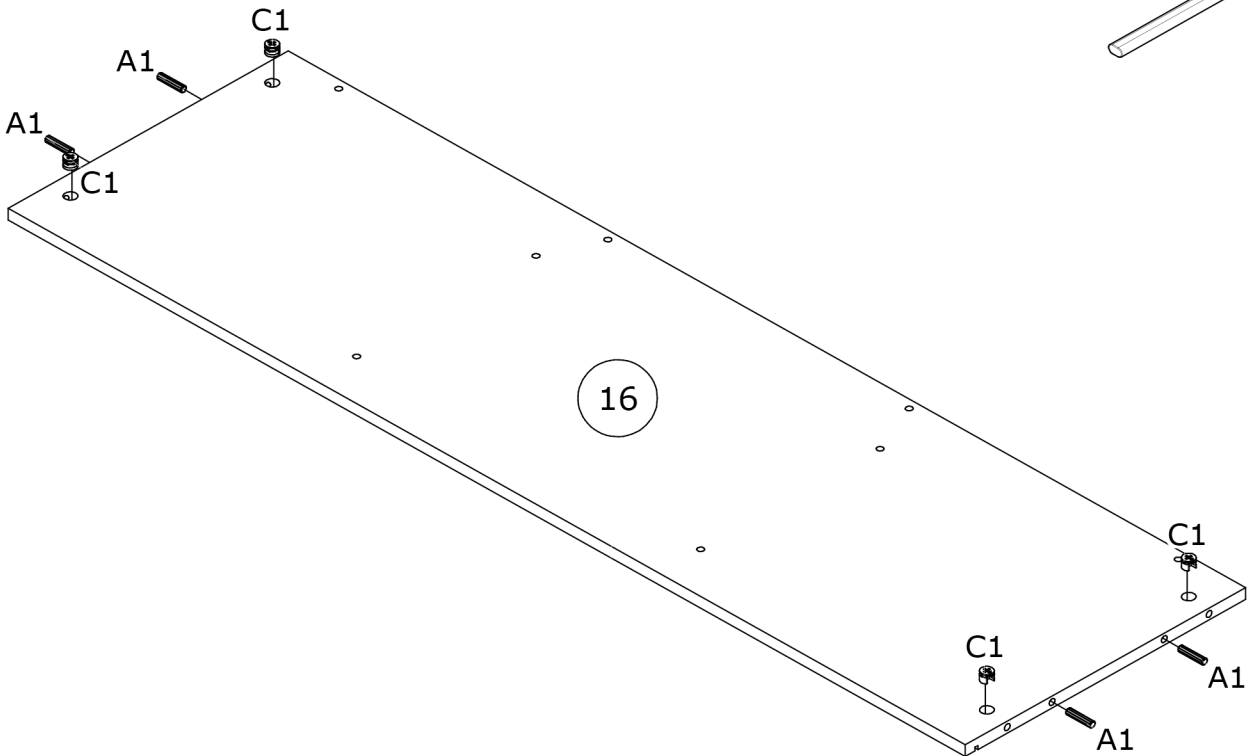
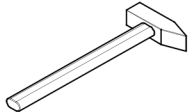


Ø8x35mm

C1 x4

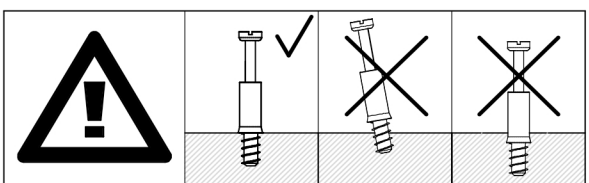
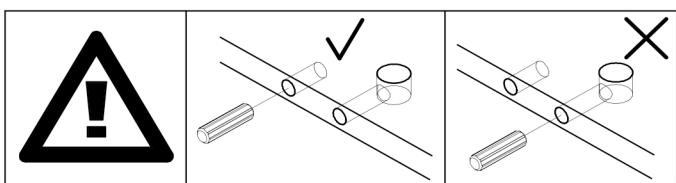
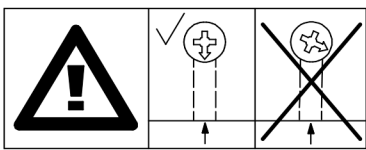
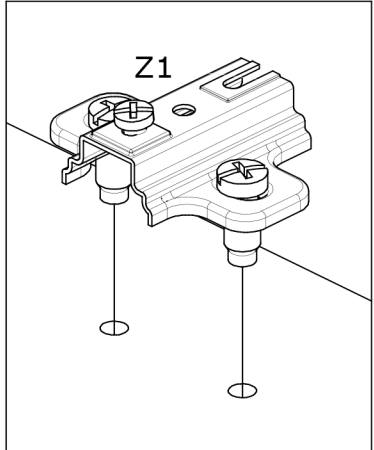
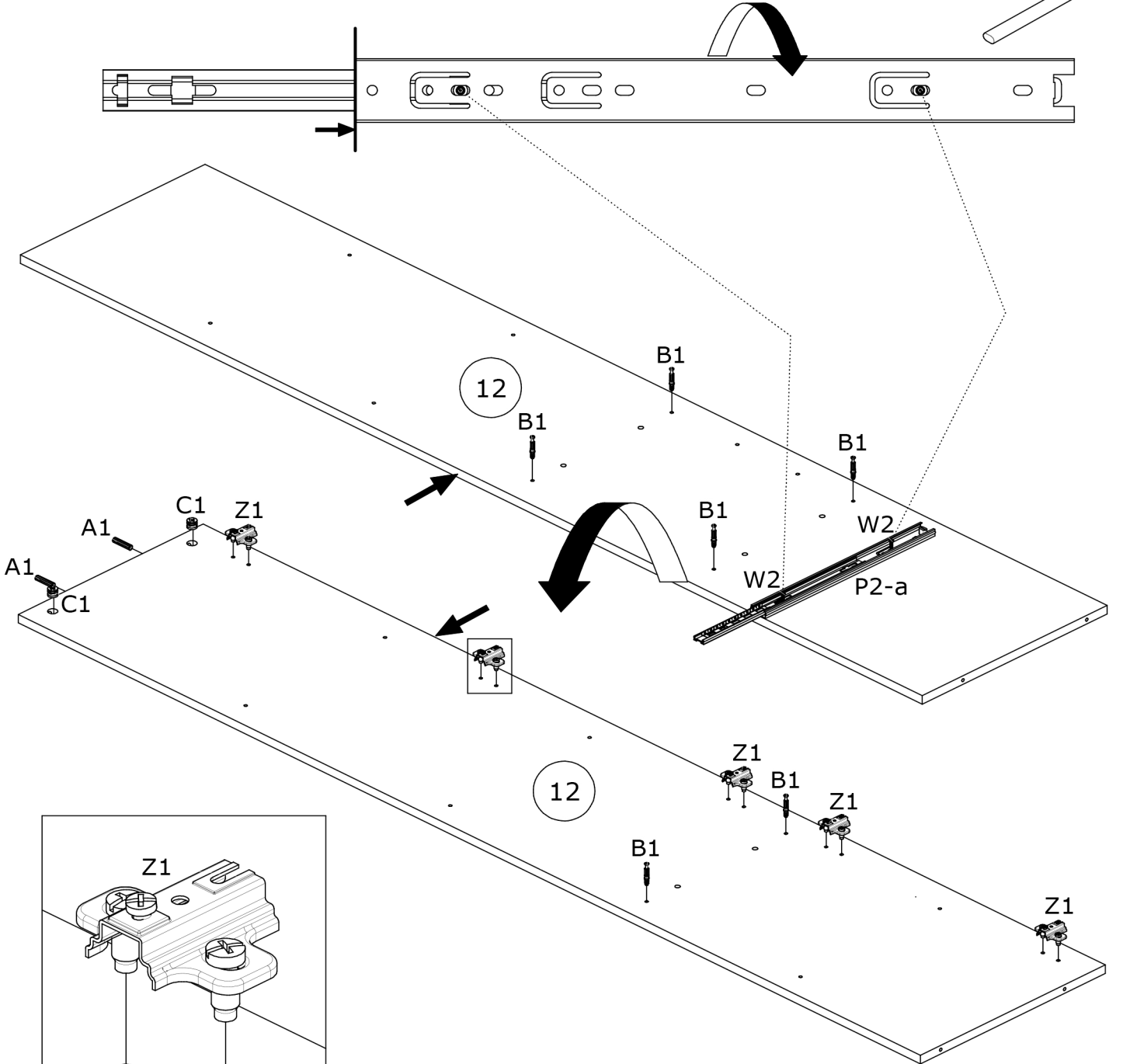
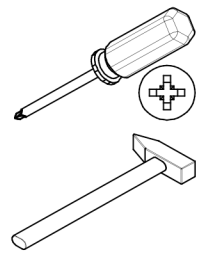
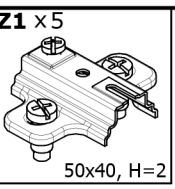
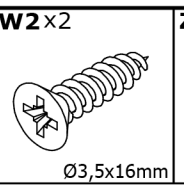
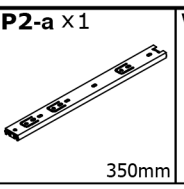
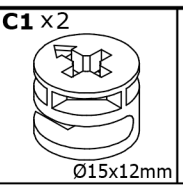
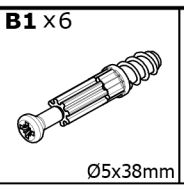
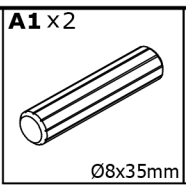


Ø15x12mm



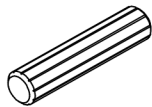


# 15



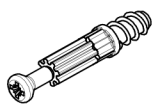
# 16

A1 x 2



Ø8x35mm

B1 x 6



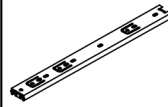
Ø5x38mm

C1 x 2



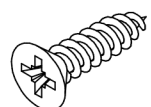
Ø15x12mm

P2-a x 1

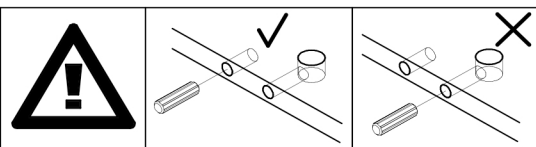
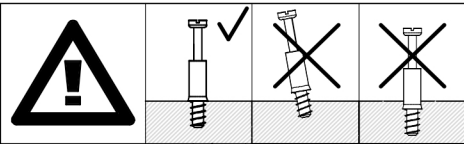
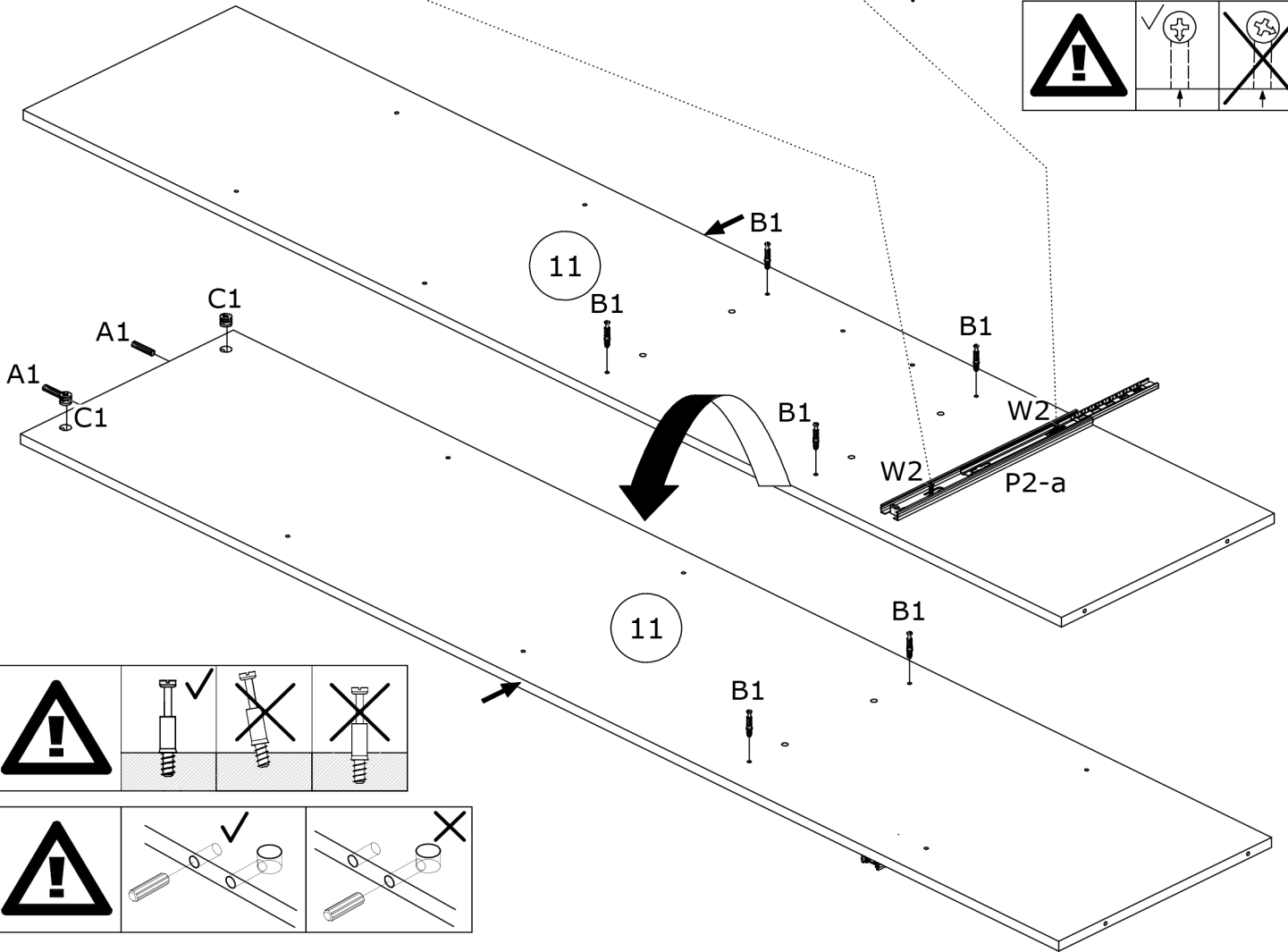
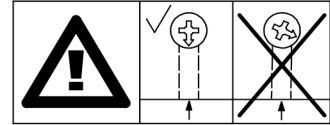
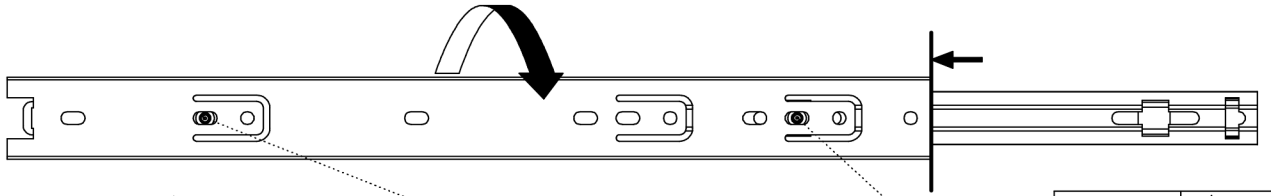
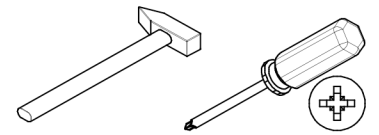


350mm

W2 x 2

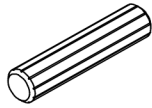


Ø3,5x16mm



# 17

A1 x 4

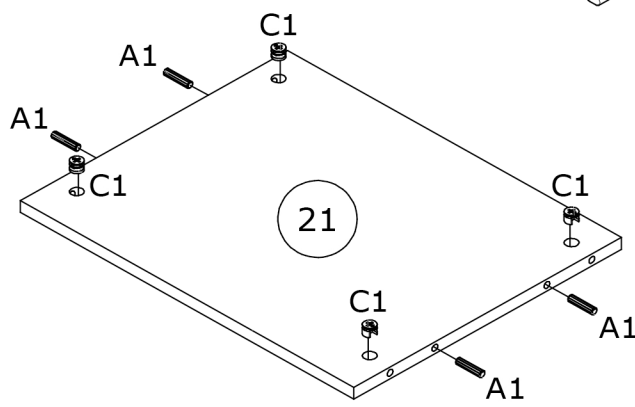
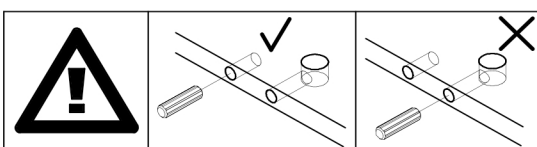
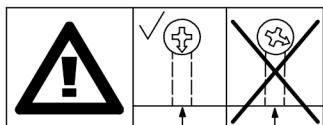
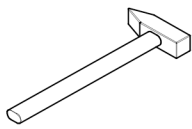


Ø8x35mm

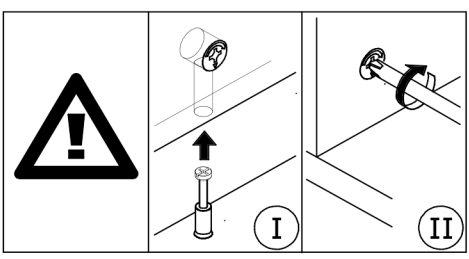
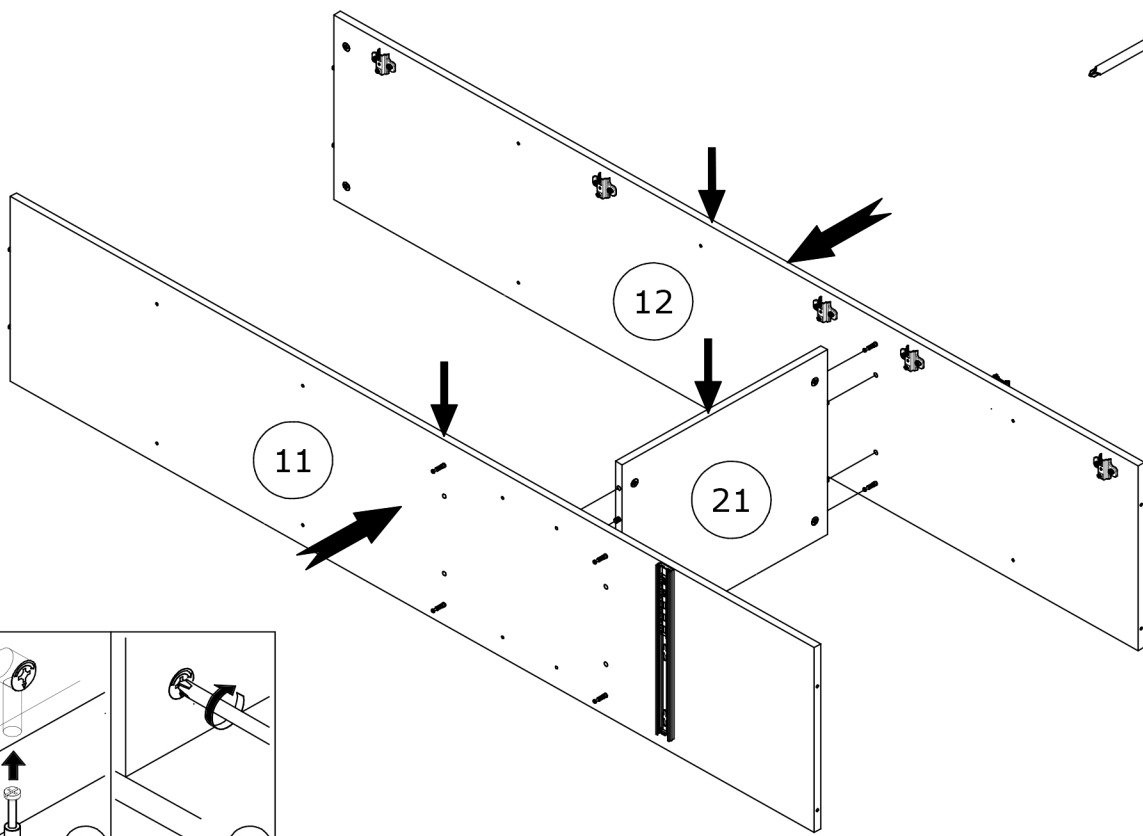
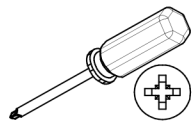
C1 x 4



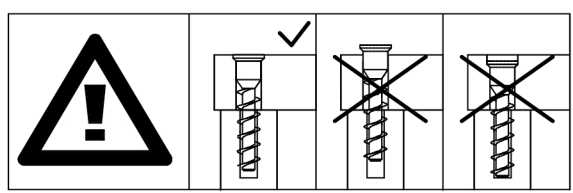
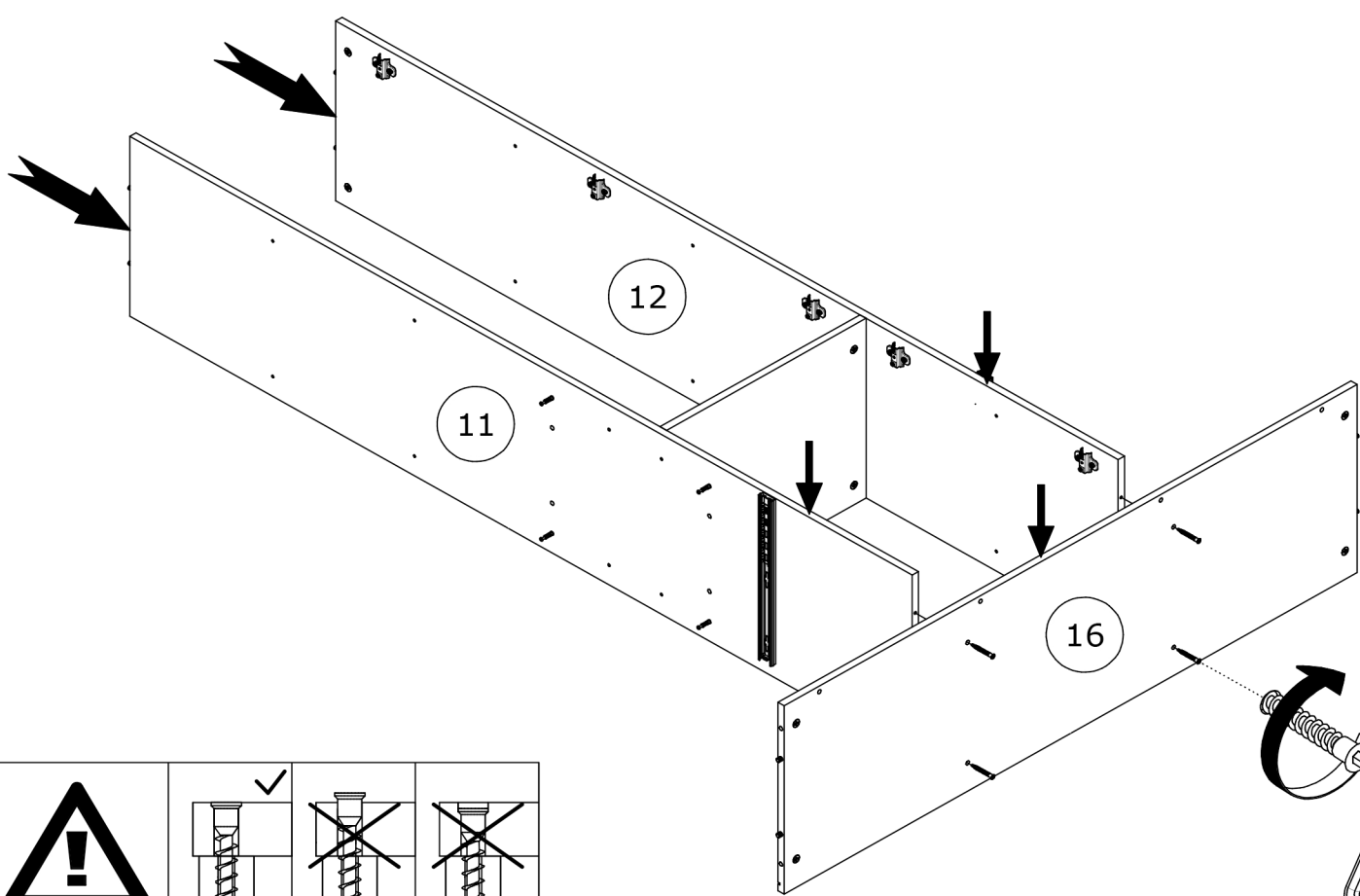
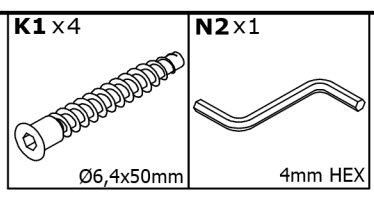
Ø15x12mm



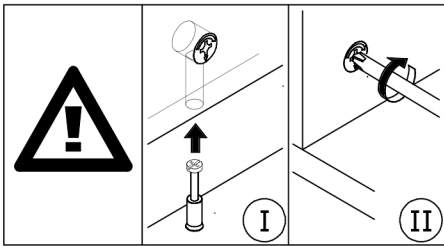
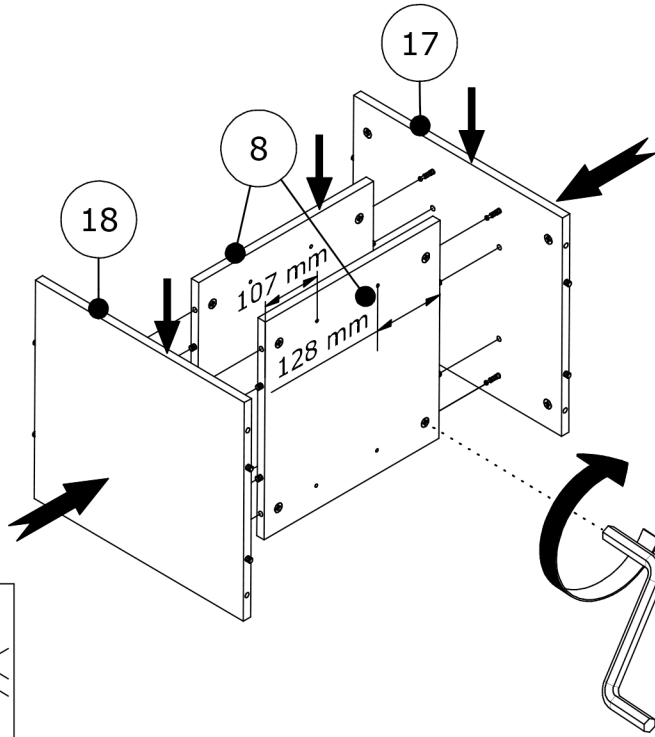
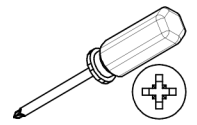
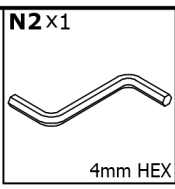
# 18



# 19

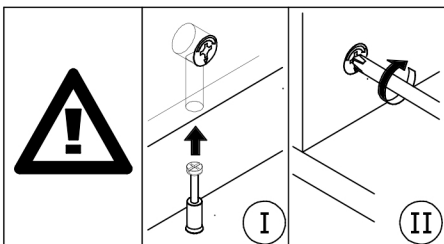
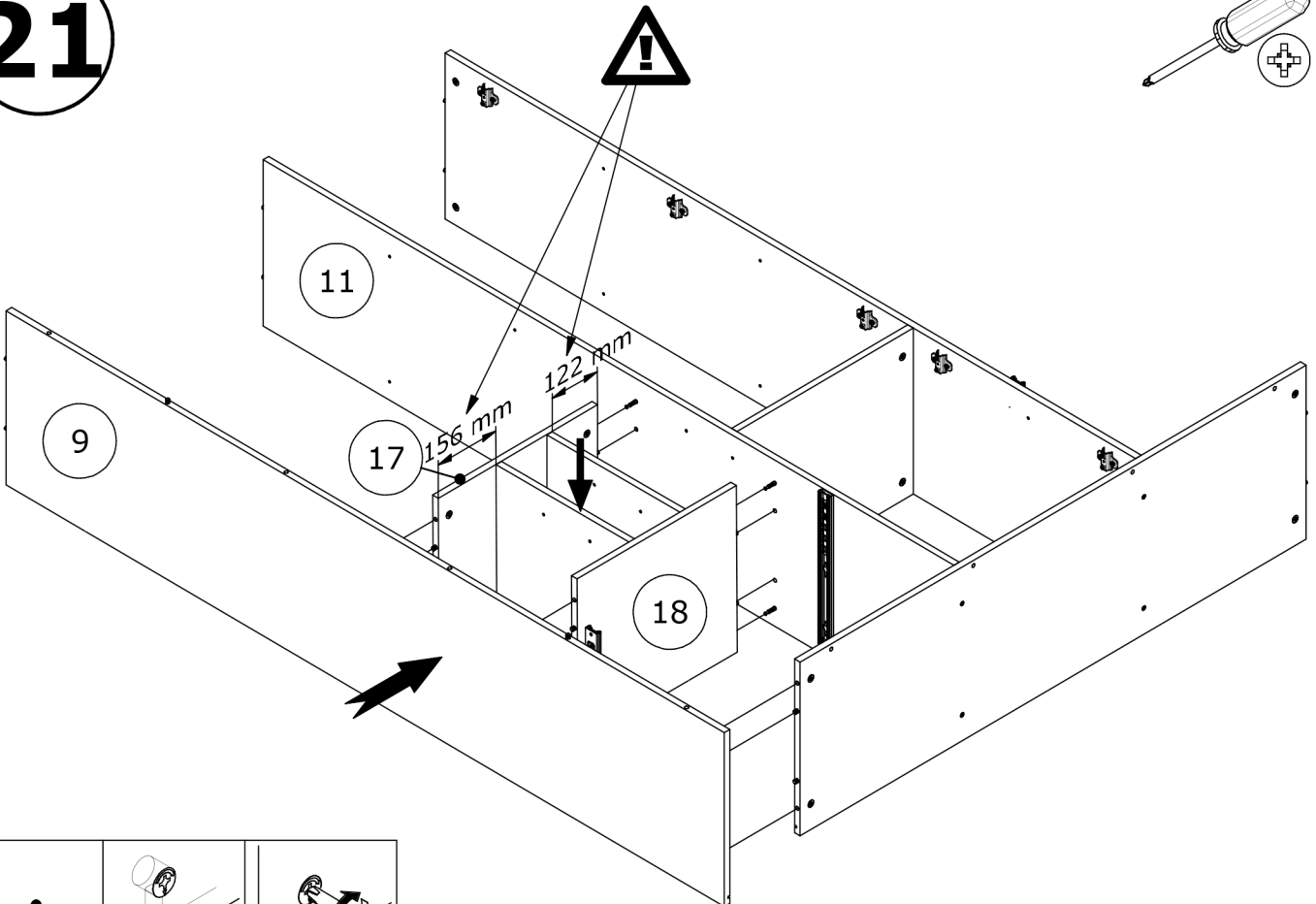
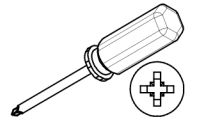


# 20

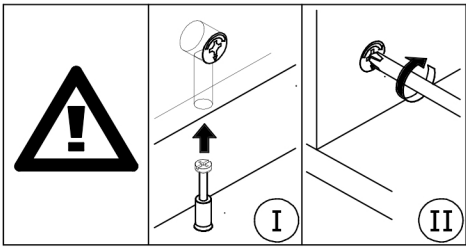
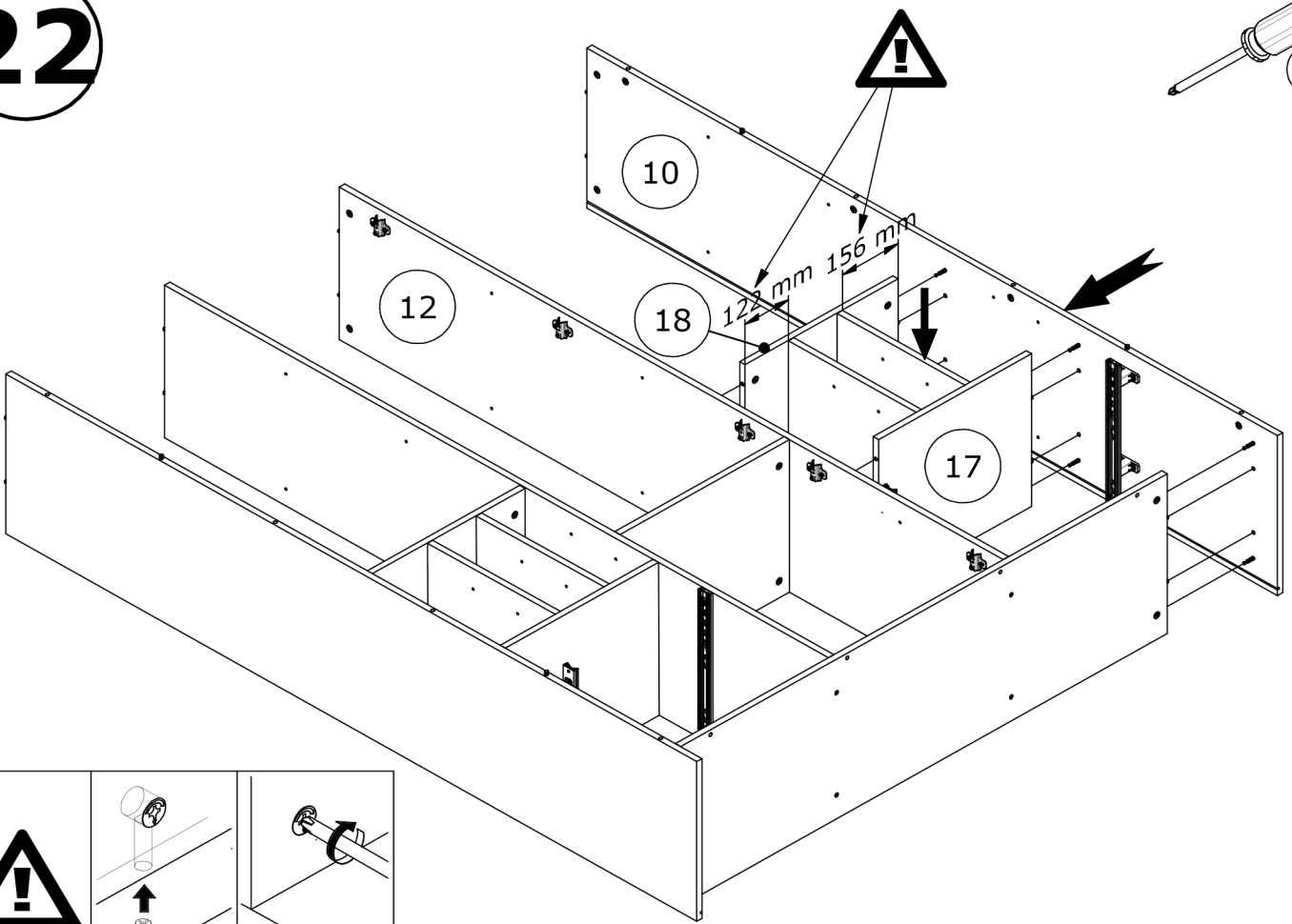


# x2

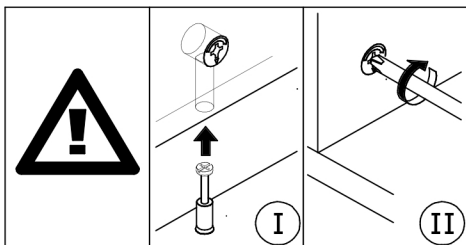
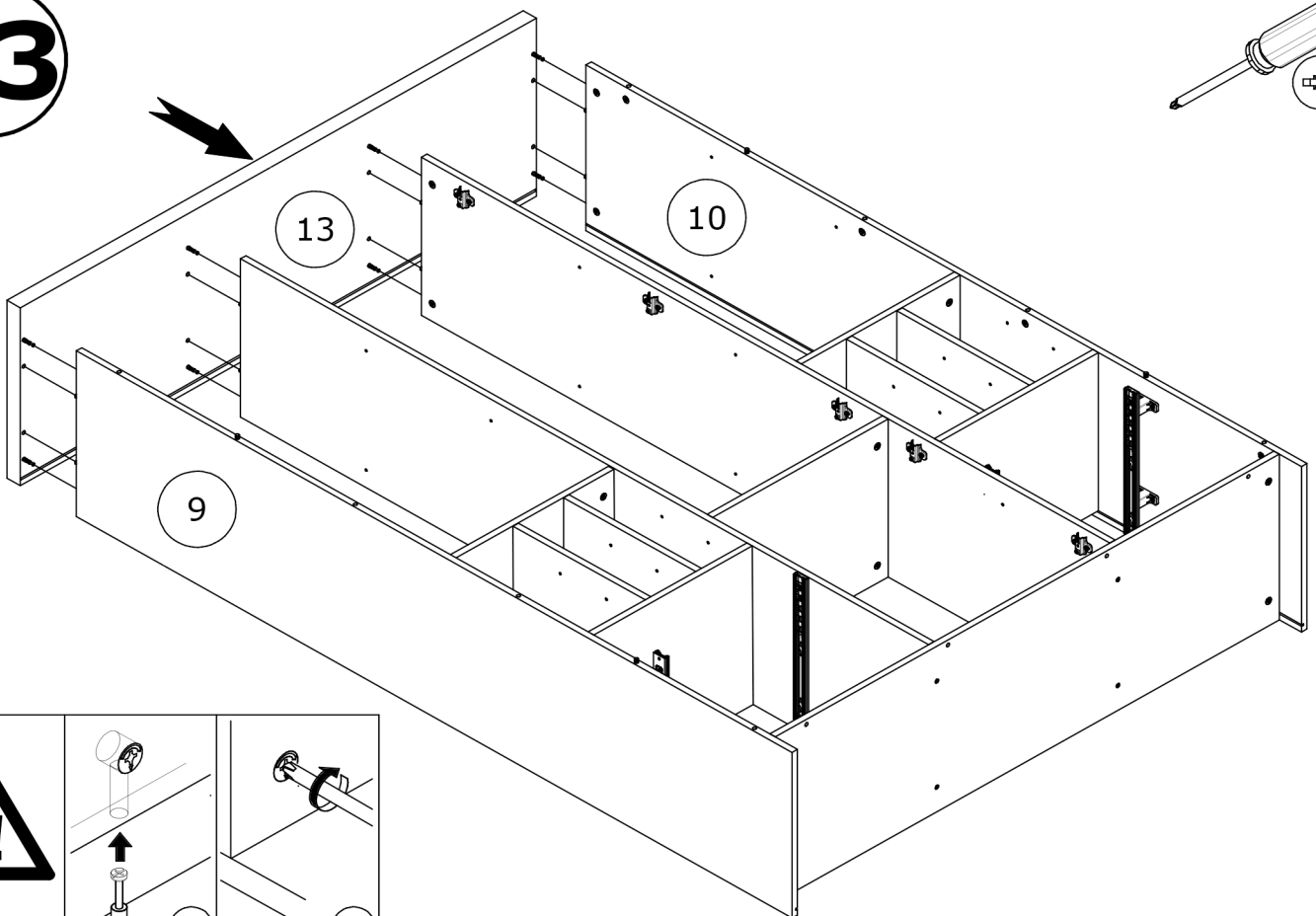
# 21



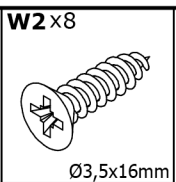
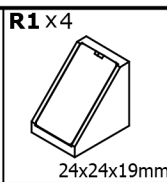
# 22



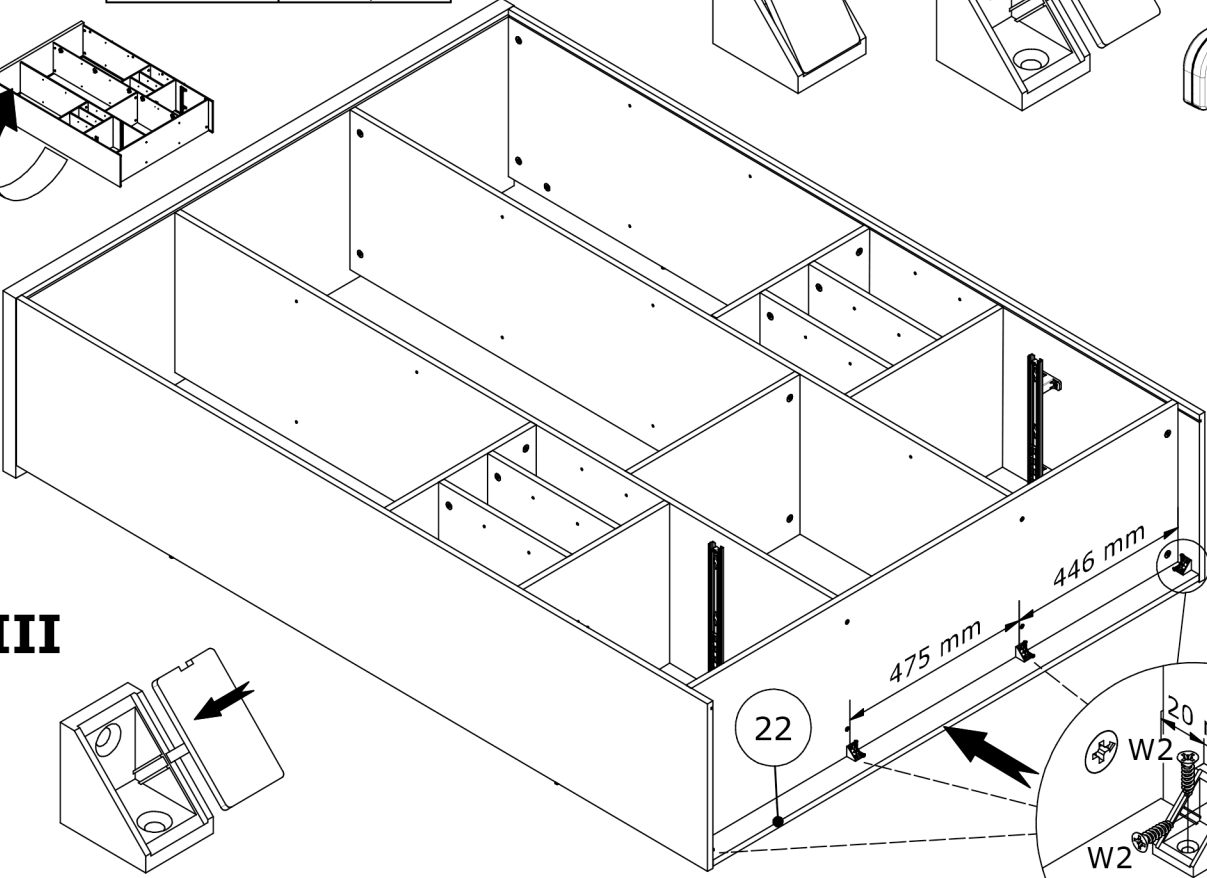
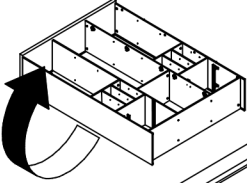
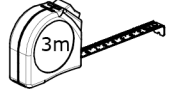
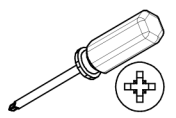
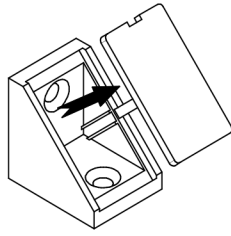
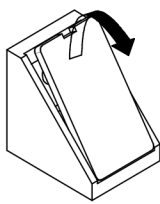
# 23



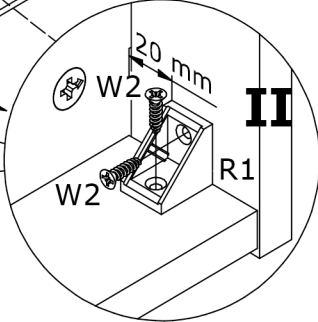
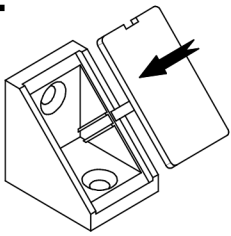
**24**



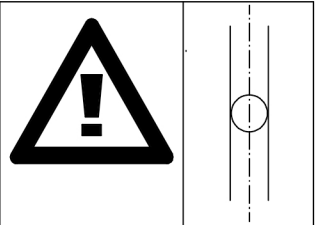
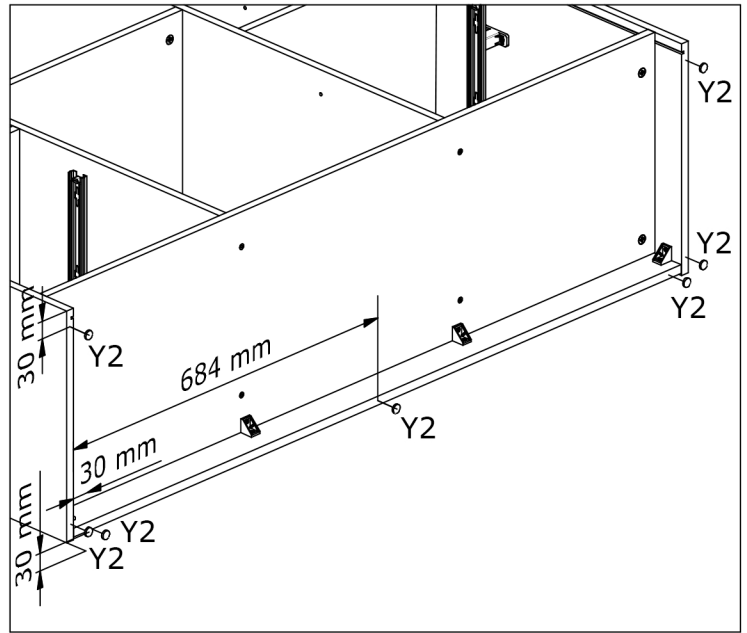
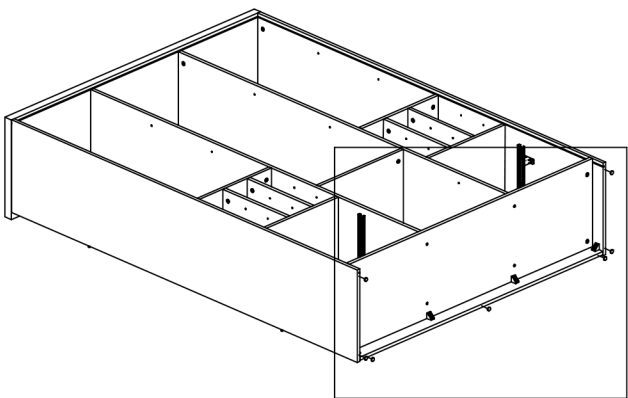
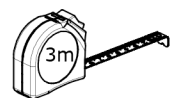
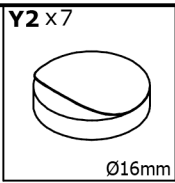
**I**



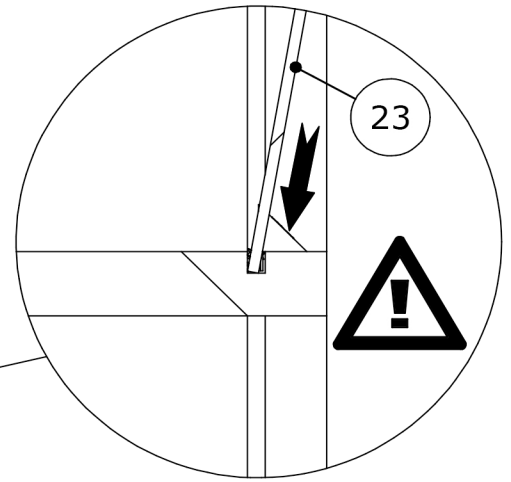
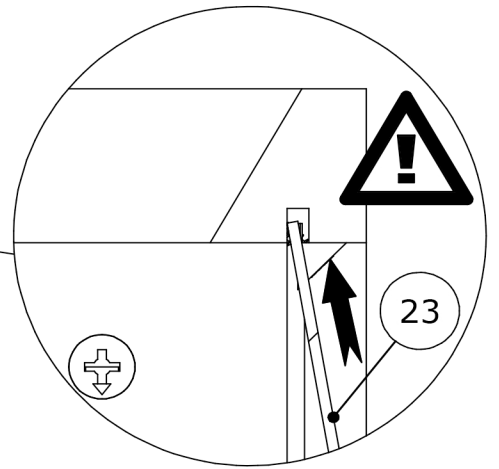
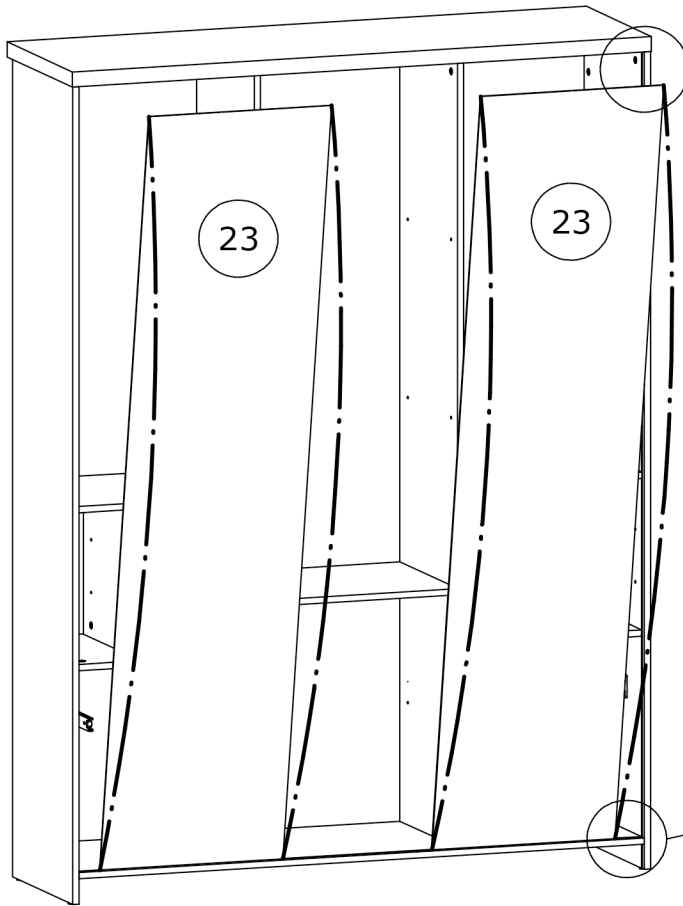
**III**



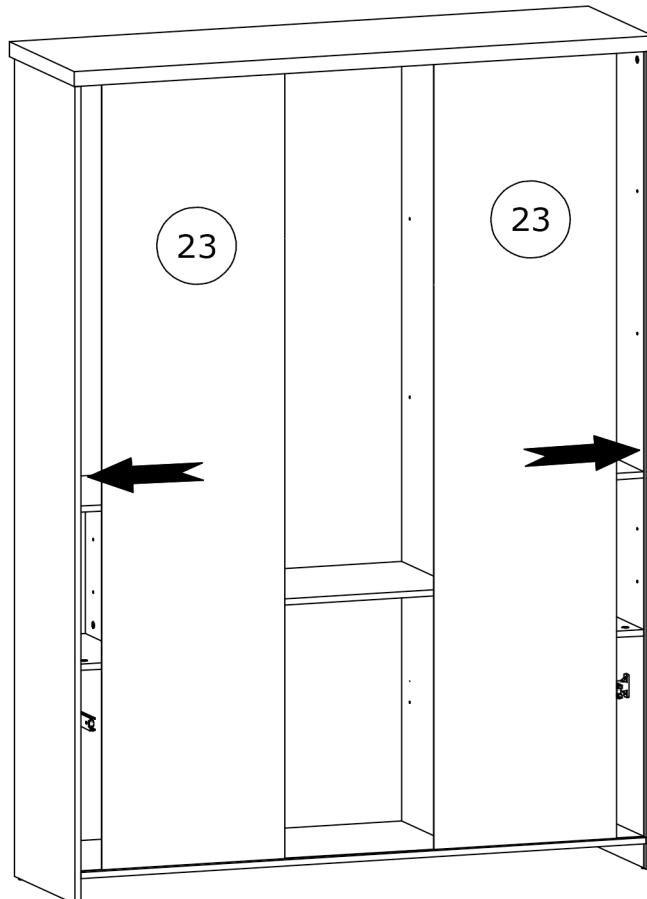
**25**



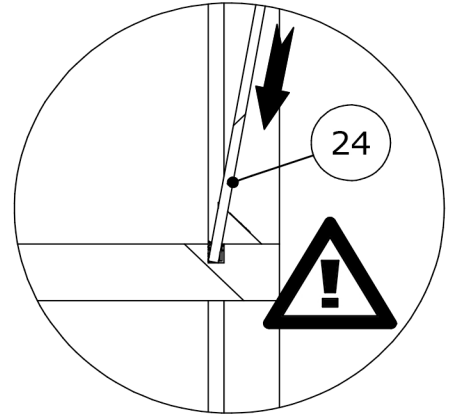
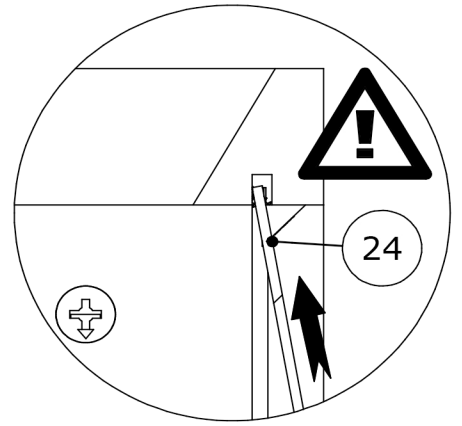
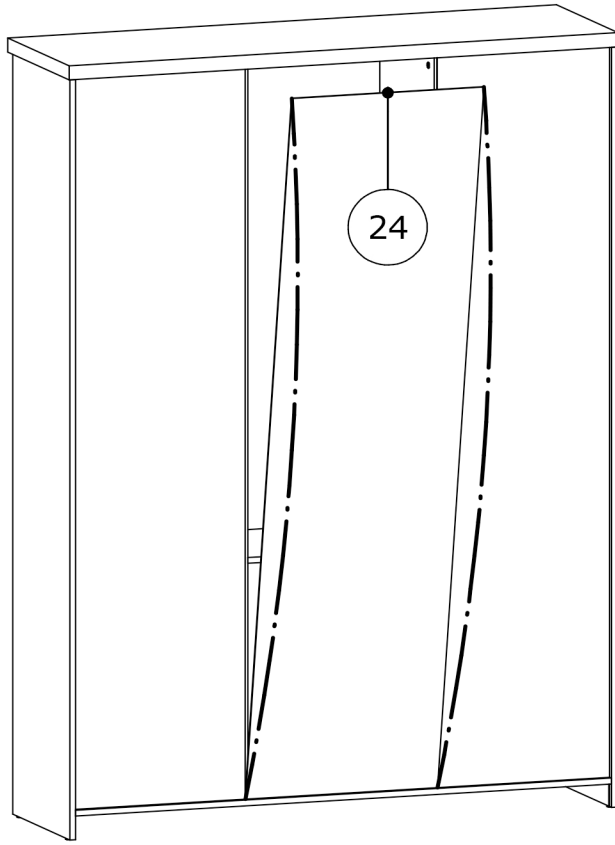
**26**



**27**

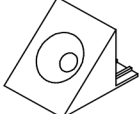


28



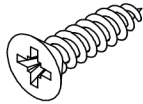
29

G2x22

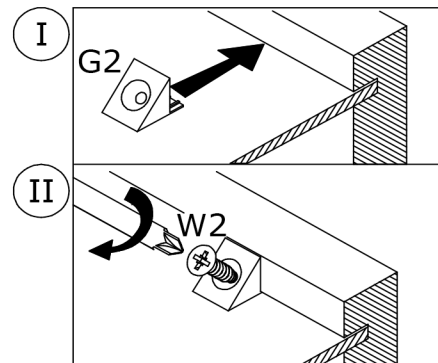
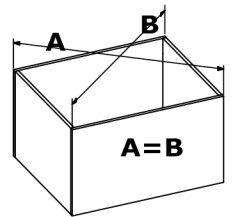
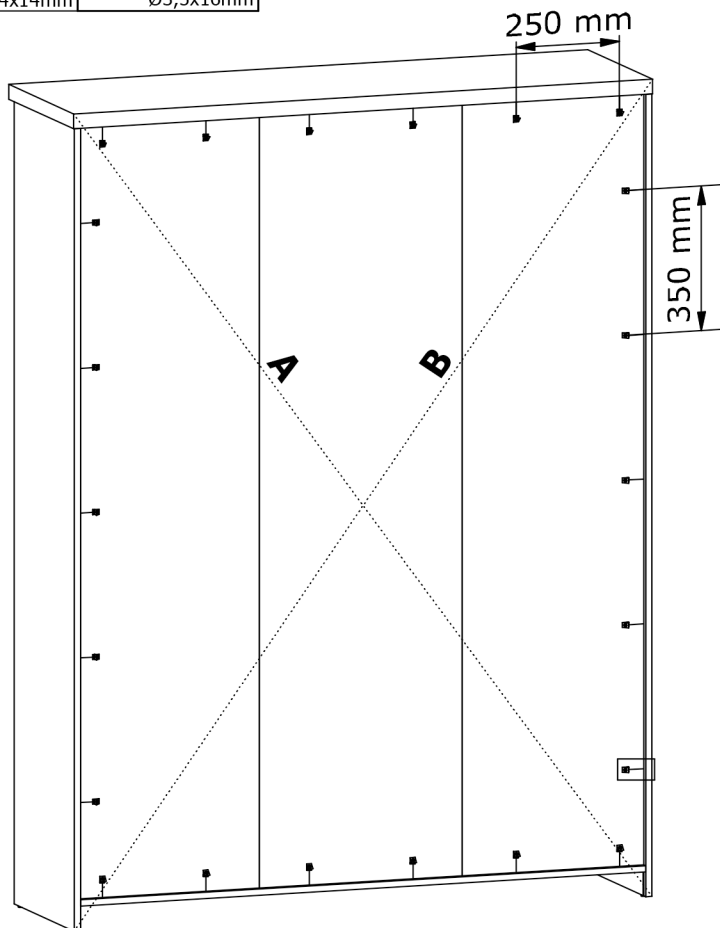
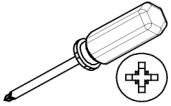
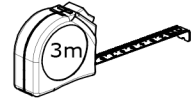


14x14mm

W2x22



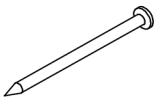
Ø3,5x16mm





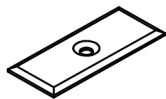
**30**

G1 x 22

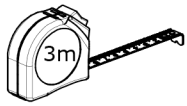
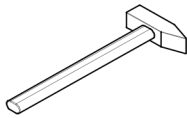
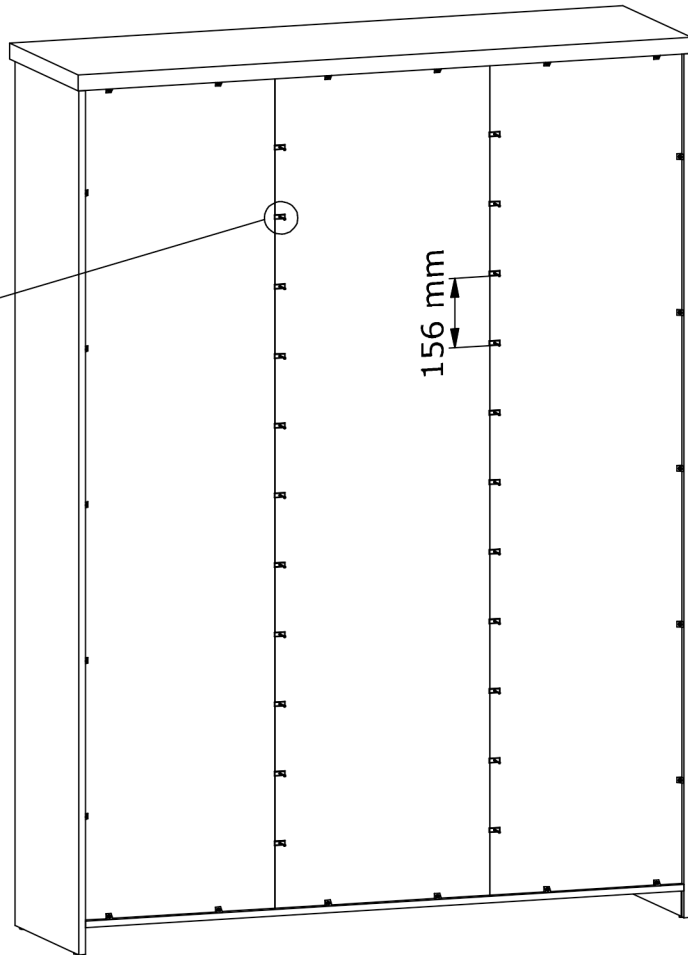
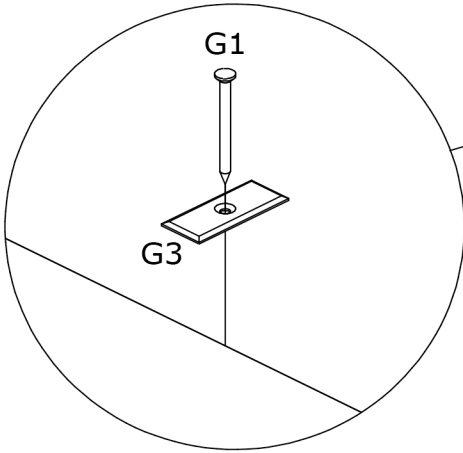


26mm

G3 x 22

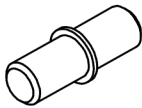


22x10mm

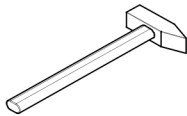
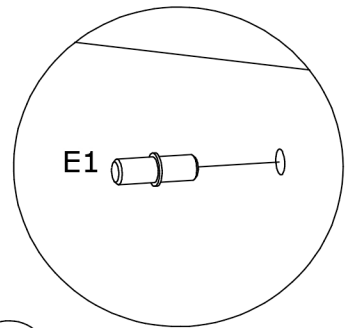
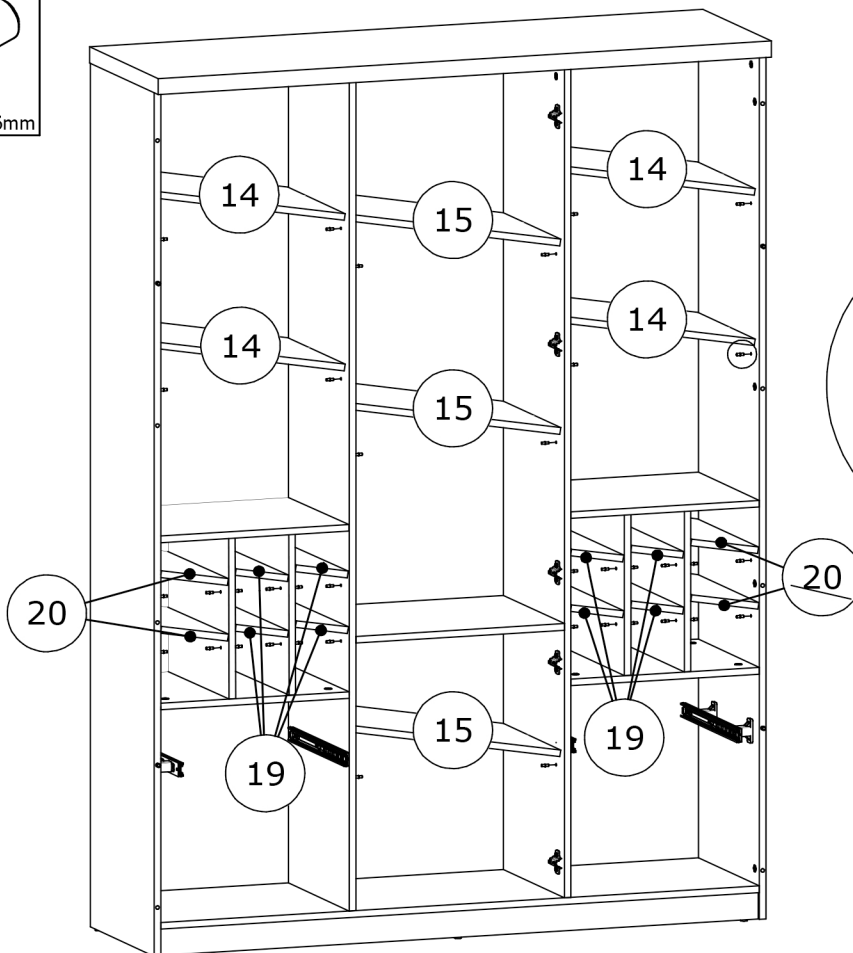


**31**

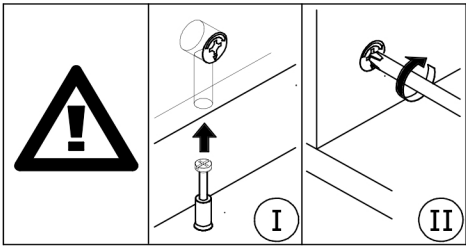
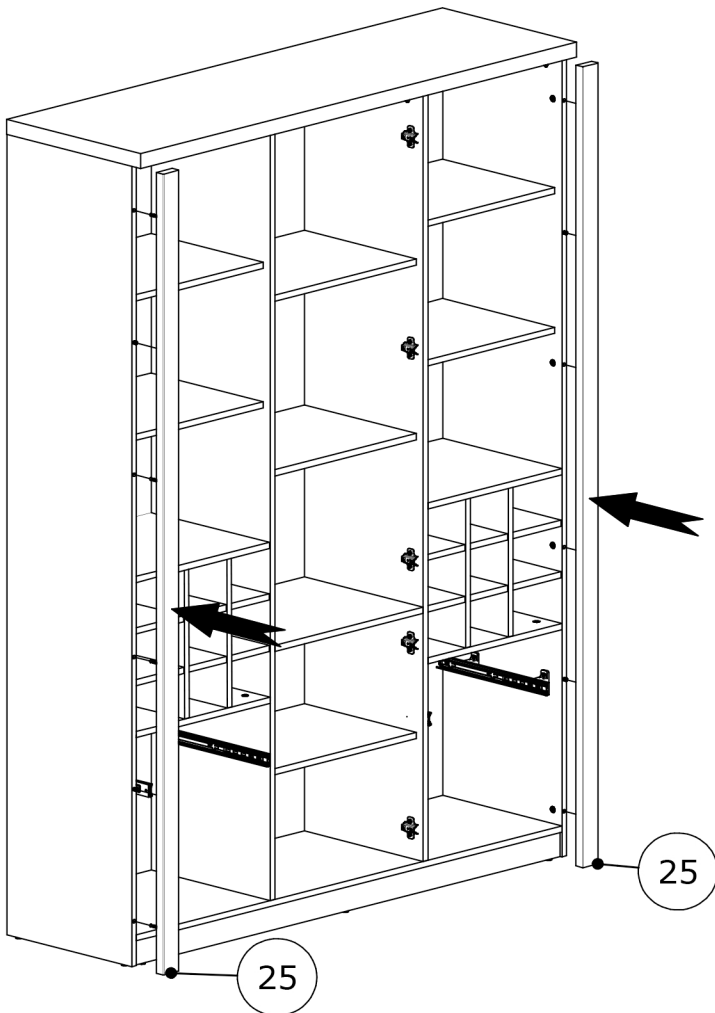
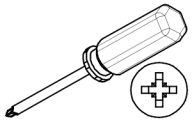
E1 x 76



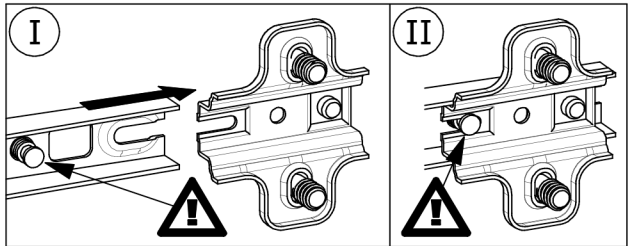
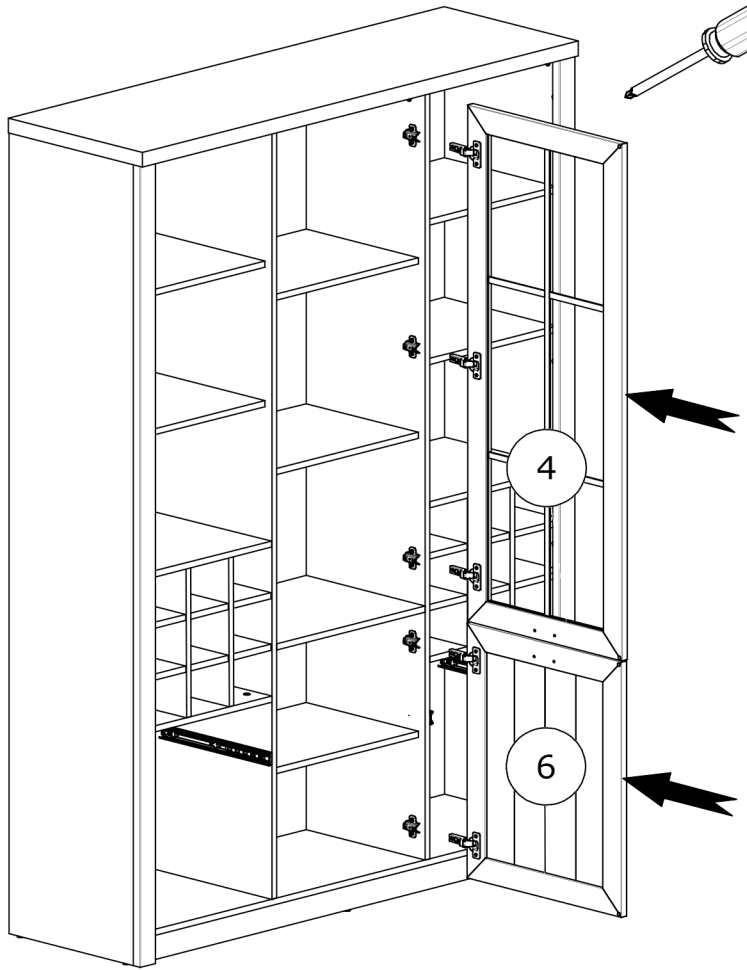
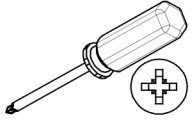
Ø5x16mm



32

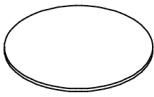


33



# 34

Jx52



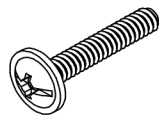
Ø21mm

U3x2

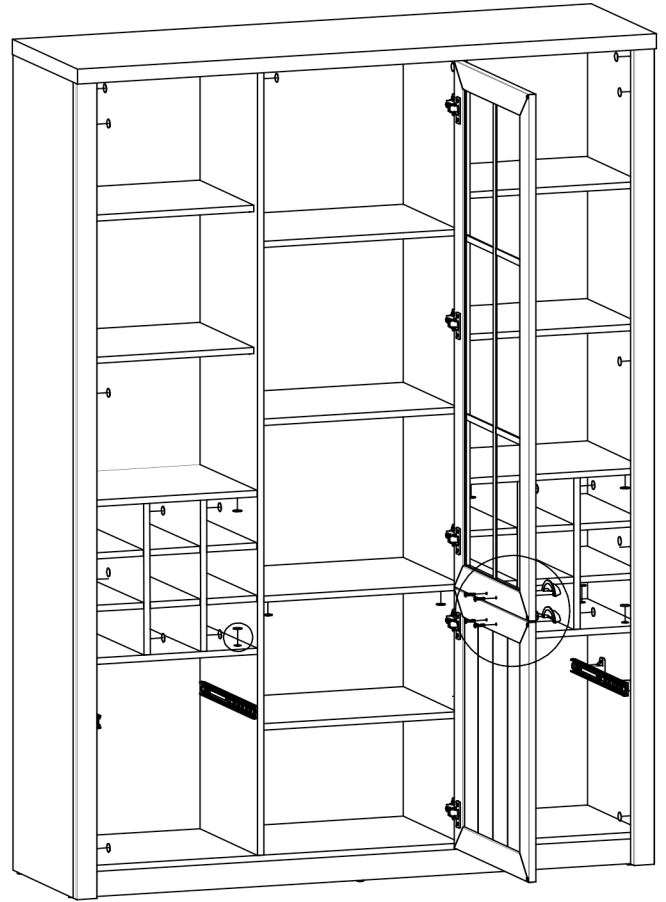
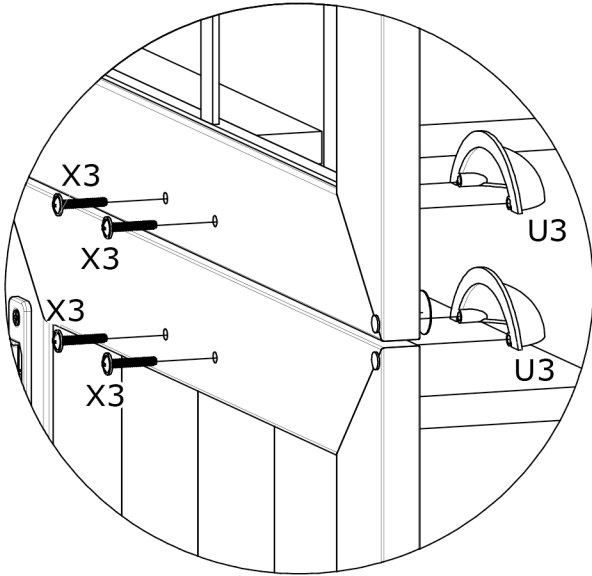
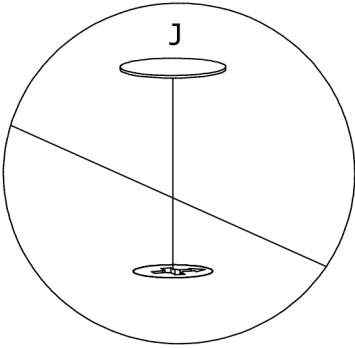
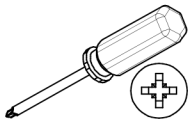


92x33mm

X3x4

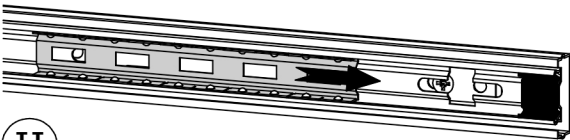


M4x22mm

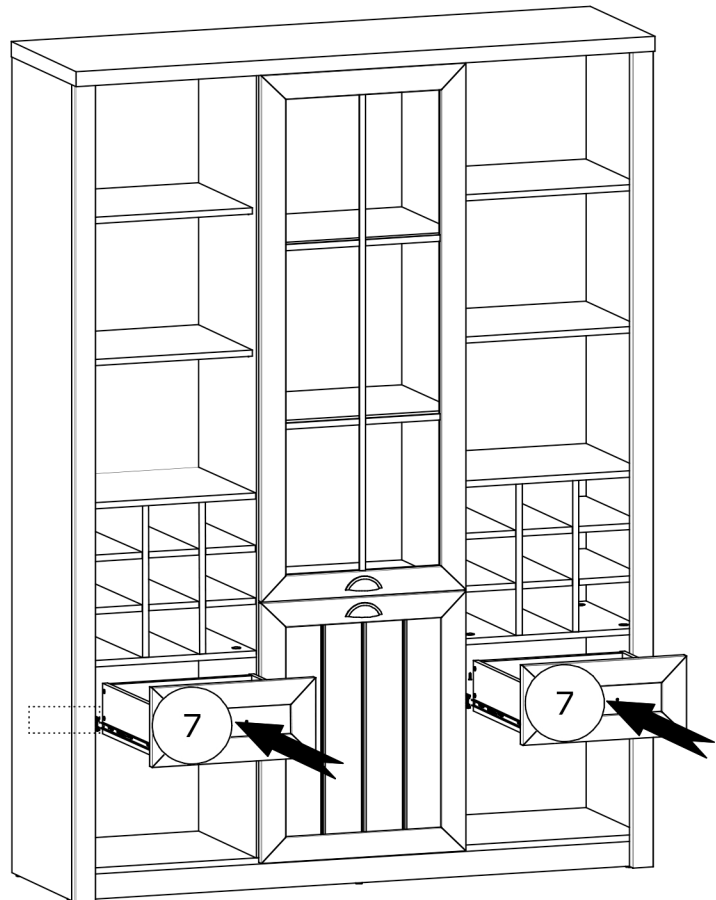
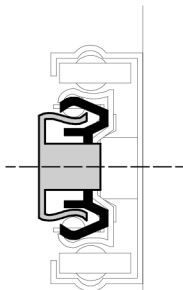
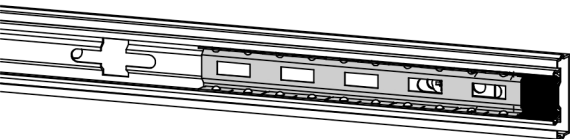


# 35

I

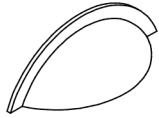


II



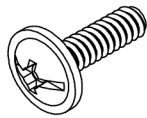
# 36

U3 x 2

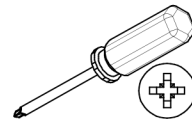
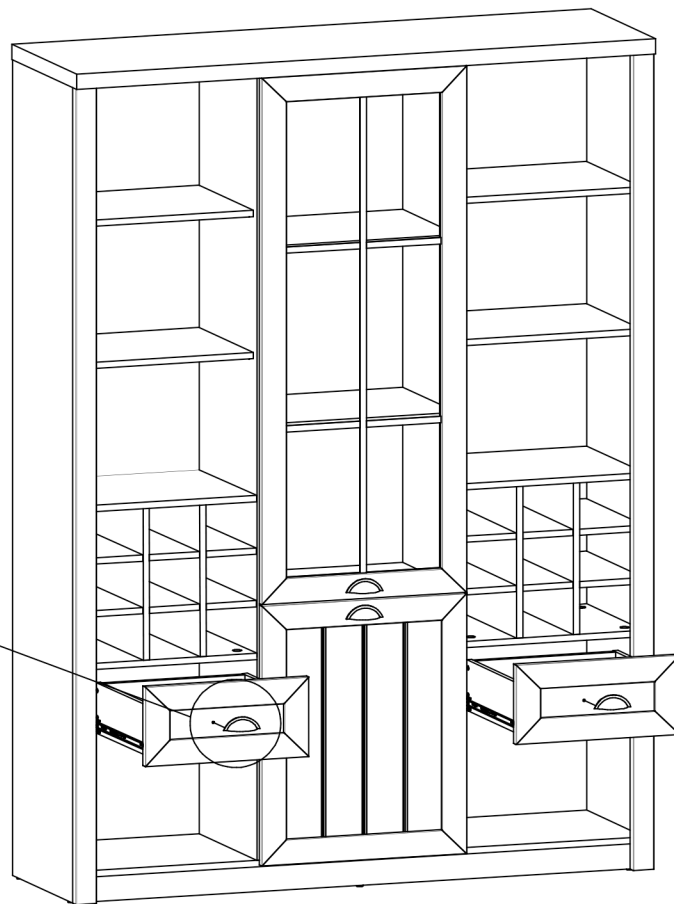
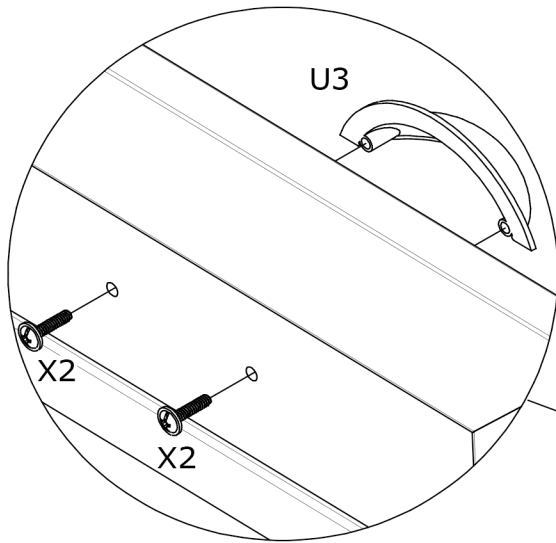


92x33mm

X2 x 4

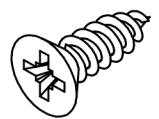


M4x16mm



# 37

W1 x 4

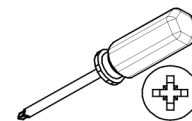
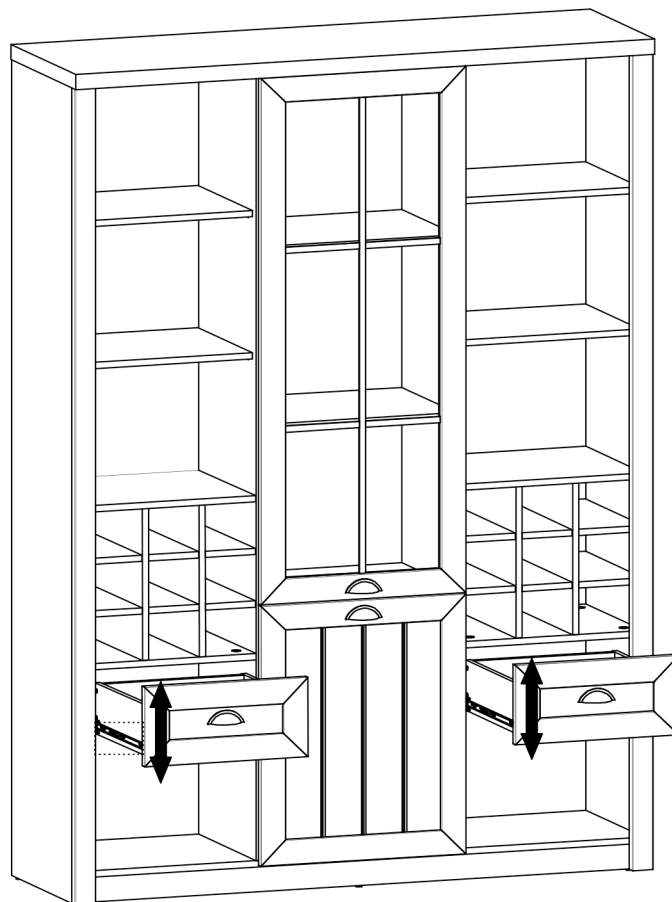
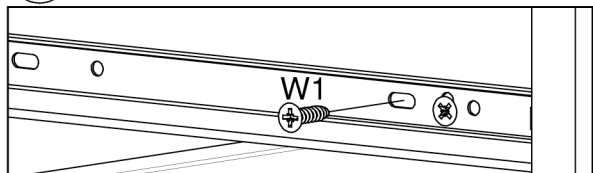


Ø3,5x13mm

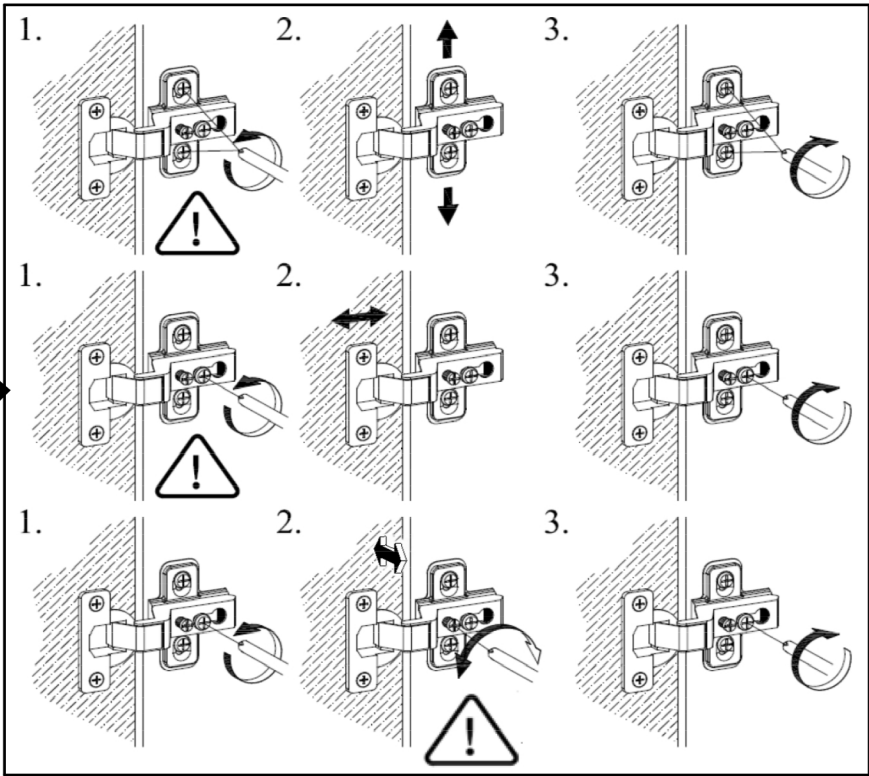
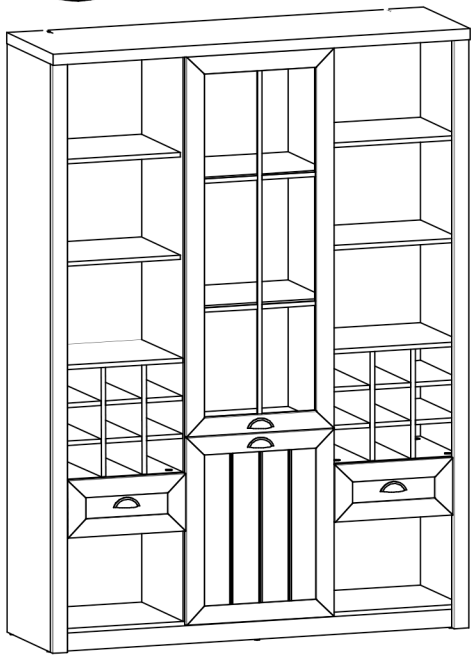
I



II

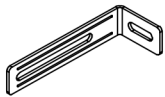


# 38



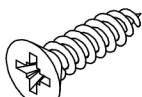
# 39

T4 x2

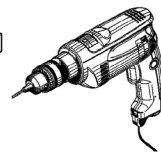
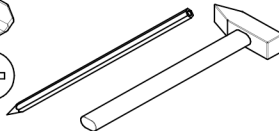
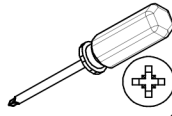


75x28x16 mm

W2 x4



Ø3,5x16mm



150 mm

150 mm

