

### TECElux toilet module 400, subsequent height adjustment, with odour extraction, installation height 1120 mm

Article number: 9600400

DU 1: 1 pc.  
DU 2: 6 pc.  
DU 3: 12 pc.

#### Description:

Dry-wall construction element for fitting to TECEprofil section tubes or for installation in metal or wooden stud walls and as a pre-wall or corner module.

For TECElux glass facing with actuation unit sen-Touch and glass facing, subsequent 8 cm manual height adjustment option, incl. "ceramic-Air" odour extraction.

TECE flush-mounted cistern:

- Safety tank made of impact-resistant plastic, tested according to EN 14055
- Cistern fully pre-assembled and sealed
- Corner valve and cistern connection pre-assembled
- Cistern connection with 1/2" external thread
- 10-litre tank volume; 6-litre pre-set standard flush volume, 9, 7.5, 4.5 litre flush volume can be optimally set at any time; 3-litre partial-flush volume for dual-flush system. Residual volume usable for immediate flush cleaning.
- Insulated against condensation water
- Low-noise hydraulic filling valve, acoustic group 1 according to DIN 4109
- Including insert chute for cleaning tablets. Enables the insertion of cleaning tablets into the cistern, for fresh toilet flushing.

Module frame:

- self-supporting, powder-coated
- Depth-adjustable retainer for upper glass facing with actuation unit and lower glass attachment facing with toilet unit, height can also be subsequently manually adjusted
- Two adjustable foot supports for floor projections of 0-200 mm
- Two M 12 retaining bolts and nuts
- Retainer for toilet ceramics with spacing of 180 mm
- Flexible toilet drain bend DN 90, connection piece material PE-HD (weldable), including transition piece DN 90/100 made of PP
- DN 90 toilet connection set, including protective plug
- Large bare-wall protection
- Suitable for wall structures up to 45 mm

Low-noise "ceramic-Air" odour extraction with long-term filter cartridge.

### Note:

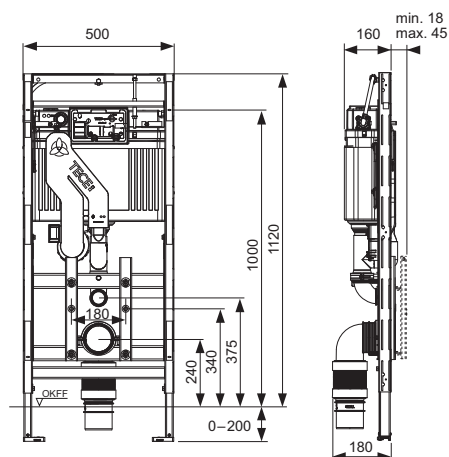
It is possible to install the "ceramic-Air" odour extraction system in all well-known toilet ceramics. However, in some ceramics which have a higher seat position or higher flushing rim, the flushing water remains standing in the flush pipe, resulting in the bowl becoming partially or completely full. The current "Technical information" offers an overview of the affected ceramics in which it is not possible to fit the odour extraction option.

### Please order separately:

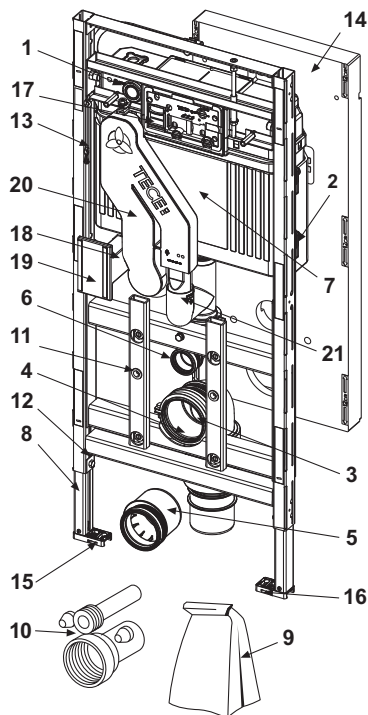
- sen-Touch upper glass facing with actuation unit
- lower glass facing
- Fitting for individual pre-wall, corner or wooden stud structures

### Sales data:

Product name: TECElux toilet module 400, subsequent height adjustment, with odour extraction, installation height 1120 mm  
 Commodity group: 920  
 Product group: 2009200010



## Spare parts:



1	9820575	Uni cistern for TECElux modules
2	9820040	Assembly kit for Uni cistern
3	9820317	Toilet connection elbow DN 90, flexible, connection piece made of PE-HD
4	9820139	Seal for drain bend DN 90
5	9820136	Toilet connector, DN 90/100, PP
6	9820015	Flush pipe seal
7	9820302	TECElux drain valve
8	9820335	C-section for module foot
9	9820043	By-pack for toilet module
10	9820057	Toilet connection set, DN 90
11	9820071	Clinch nut
12	9820447	Foot brake with steel spring
13	9820329	Securing cable
14	9820330	Bare-wall protection
15	9820332	Module foot with toggle left
16	9820333	Module foot with toggle right
17	9240950	Insert chute for cleaning tablets
	9240951	Insert chute II for cleaning tablets
18	9820301	Filter cartridge
19	9820300	Air outlet
20	9820311	"ceramic-Air" odour extraction
21	9820350	O-ring odour extraction