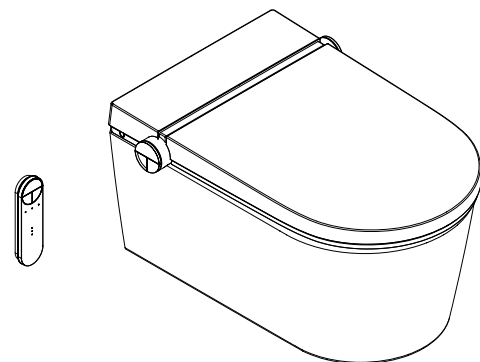


<b>DE</b>	Gebrauchsanleitung / Montageanleitung	<b>2</b>
<b>FR</b>	Mode d'emploi / Instructions de montage	<b>3</b>
<b>EN</b>	Instructions for use / Assembly instructions	<b>4</b>
<b>IT</b>	Istruzioni per l'uso / Istruzioni per Installazione	<b>5</b>
<b>ES</b>	Modo de empleo / Instrucciones de montaje	<b>6</b>
<b>NL</b>	Gebruiksaanwijzing / Handleiding	<b>7</b>
<b>DK</b>	Bruganvisning / Monteringsvejledning	<b>8</b>



**LavaPura Element S**  
63021450



## Safety Notes

- ⚠ Gloves should be worn during installation to prevent crushing and cutting injuries.
- ⚠ Any work may only be carried out in a de-energized state.
- ⚠ Do not allow children to play with the appliance.
- ⚠ It is not allowed to make arbitrary changes to this product!
- ⚠ UV radiation can cause damage to eyes and skin. Work on the UV lamp of the shower head should only be carried out by a professional.

## Installation Instructions

- Prior to installation, inspect the product for transport damages. After it has been installed, no transport or surface damage will be honoured.
- The pipes and the fixture must be installed, flushed and tested as per the applicable standards.
- Only use original spare parts.
- The plumbing codes applicable in the respective countries must be observed.
- During installation of the product by qualified trained personnel, make sure that the entire fastening surface is even and smooth (no protruding seams or tile offset), that the finish of the wall is suitable to apply the product and has no weak points.
- Only standardized materials may be used for the installation.
- All components must remain accessible.
- Before installing the product, it must be ensured that the installation kit #60308000 is installed. (see page 9, 15)

## Electrical installation


### Electrician

- ⚠ The installation and test work must be performed by an authorized electrician under consideration of DIN VDE 0100 part 701 / IEC 60364-7-701.
- ⚠ The current version of the applicable regulations from VDE, local authorities and utility companies must be observed for electric installation work.
- ⚠ The ambient temperature must not be higher than 50 °C.
- ⚠ The proper function of this protective device must be checked at regular intervals.
- ⚠ The mains voltage of 220 - 240 V AC 50 - 60 Hz must be supplied via a shutoff device (switch) as well as a ground fault protector (RCD / FI) with a measured differential current of  $\leq 30$  mA.

## Technical Data

Product weight:	35 kg
Product dimensions:	see page 14
Operating pressure:	max. 0,8 MPa
Minimum flow rate:	8,5 l/min
Maximum power output:	1500 W
Average power output during operation:	1025 W
Standby power:	<0,3 W
(With active seat heating and instant water heater)	
Heating power of the shower head:	1500 W
Maximum water jet temperature:	39 °C
Blower temperature:	43 - 53 °C
Blower power:	200 W ( $\geq 0,2$ m <sup>3</sup> / min)
Maximum seat heating temperature:	50 W / 39 °C
(After 10 minutes of use, the temperature automatically drops to 31 °C)	
Ambient temperature:	10 - 40 °C
Power connection:	220 - 240 V AC 50 - 60 Hz
Protection class:	IPX4
Flush volume:	6 l / 4,2 l
Maximum flow rate of the bidet at 3 bar:	0,7 l/min
Material composition:	plastic, metal, PA 6/6 glass fiber reinforced
Efficiency class:	2
Installation site of type plate:	see page 15
Seat protection devices:	
Seat sensor, Temperature sensor, Thermal fuse, Thermostat, Leakage protection	
Protection devices for cleaning apparatus:	
Thermal fuse, Water temperature sensor, Grounding protection, Temperature controller, Overheating protection, Leakage protection	
Battery remote control:	
EN 60335-1:2012 + A11:2014 + A13:2017 + A1:2019 + A14:2019 + A2:2019 + A15:2021 + A16:2023; EN IEC 60335-2-84:2021 /A11:2021	
Battery remote control:	CR2450 / 3 V
The product is exclusively designed for drinking water!	

## Symbol description

 Do not use silicone containing acetic acid!

 **Spare parts** (see page 15)

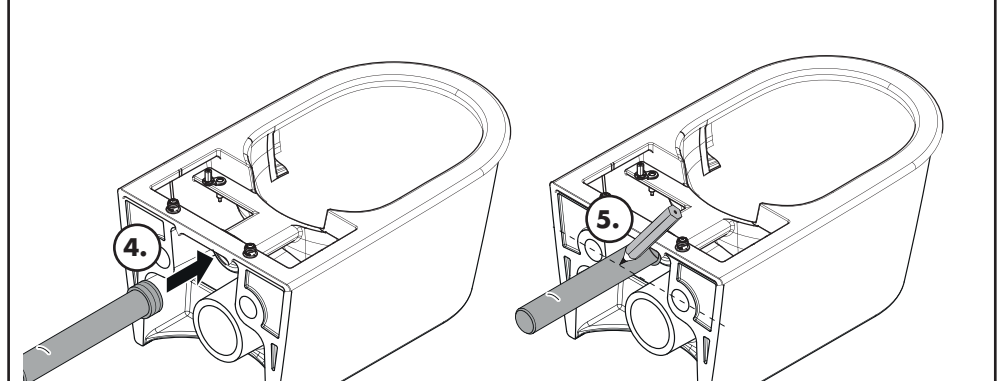
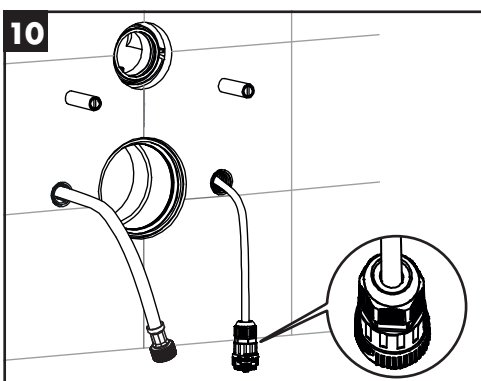
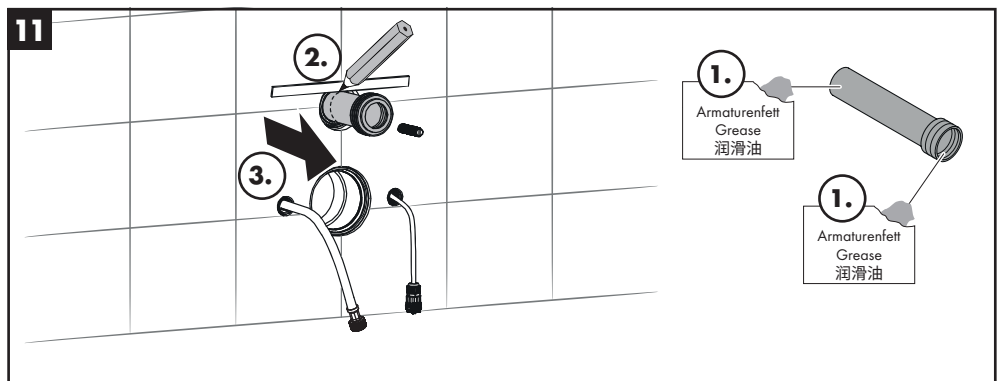
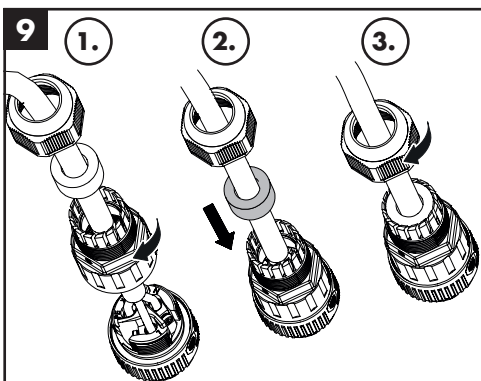
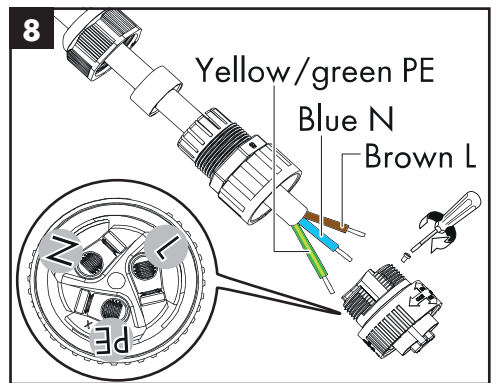
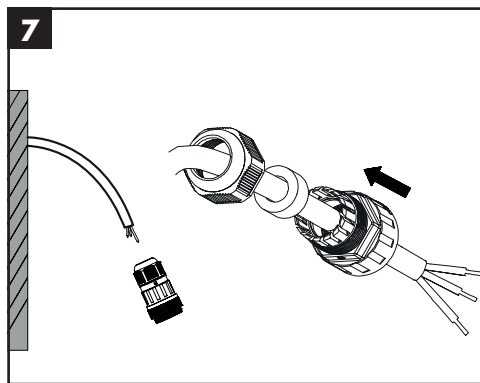
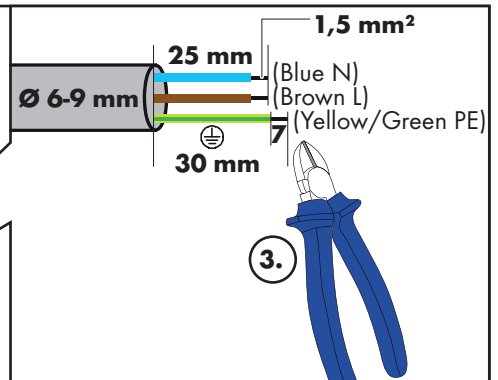
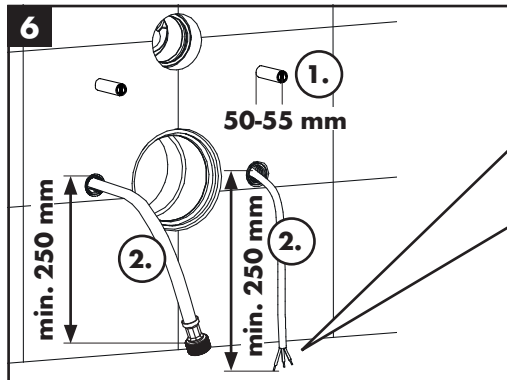
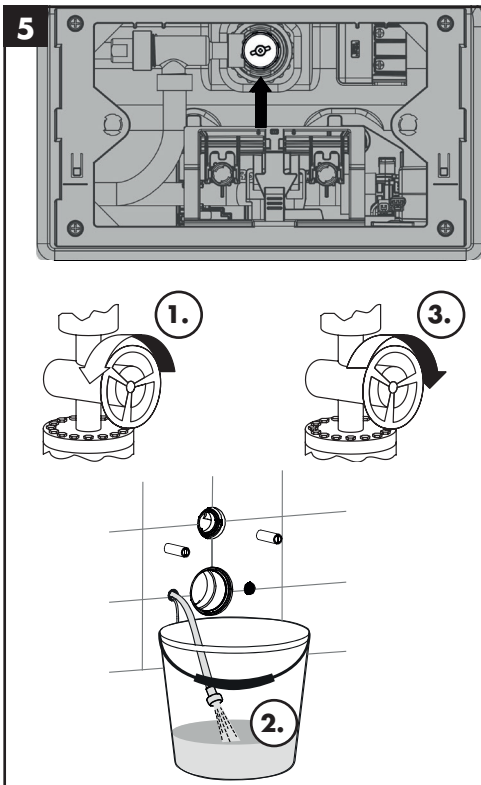
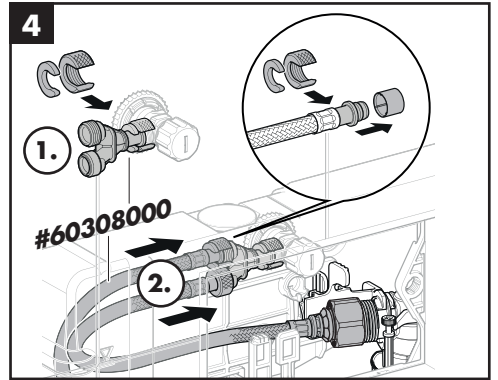
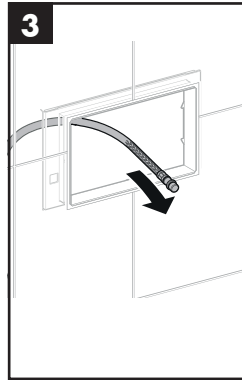
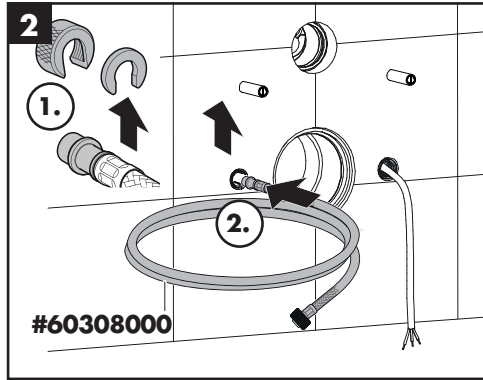
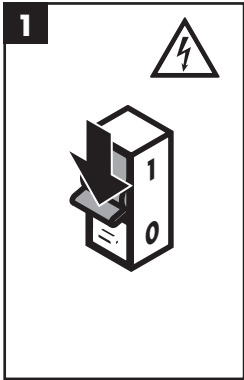
 **Dimensions** (see page 14)

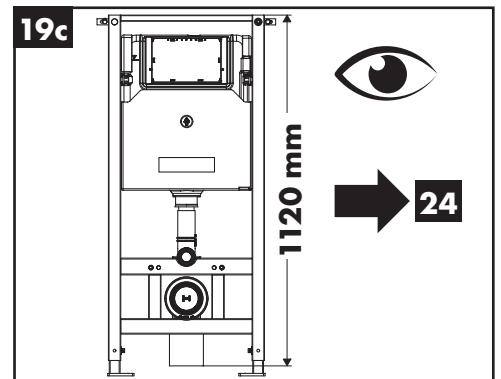
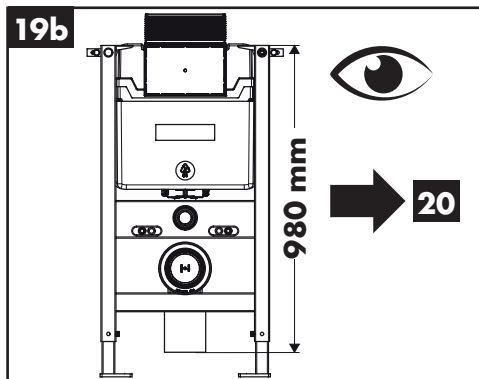
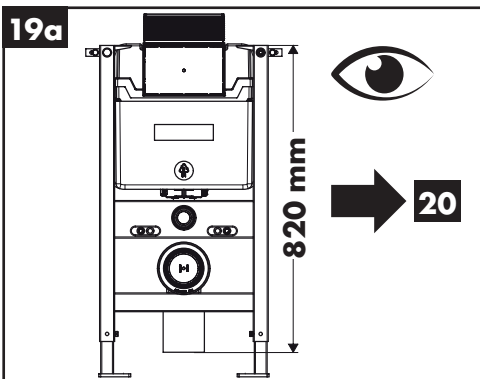
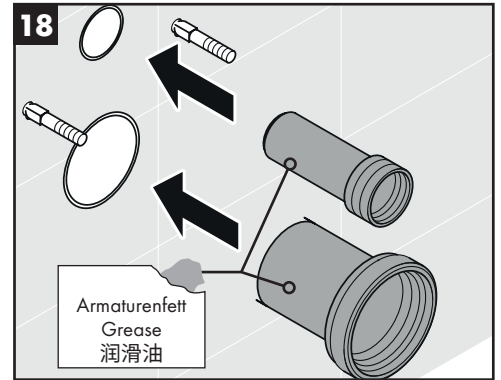
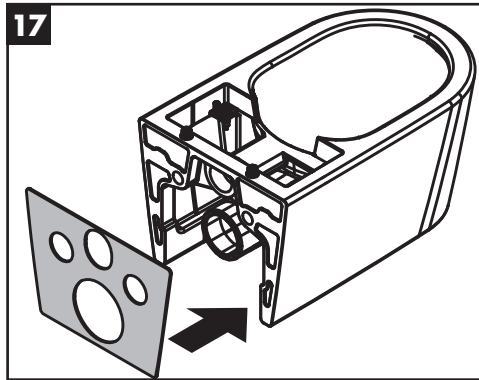
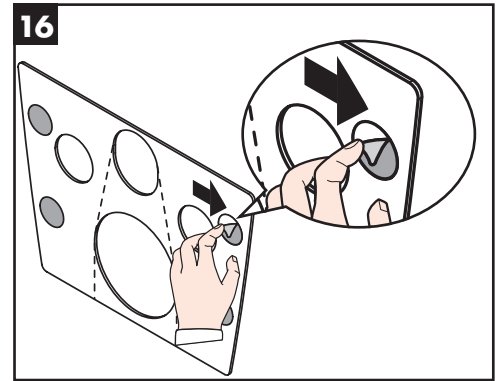
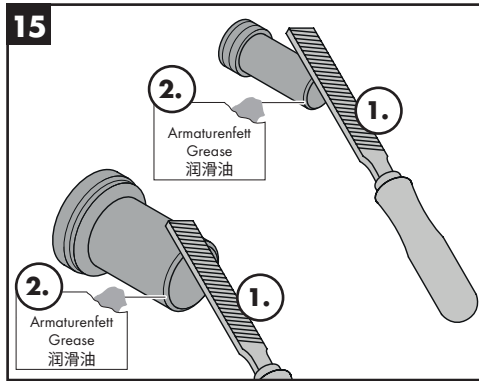
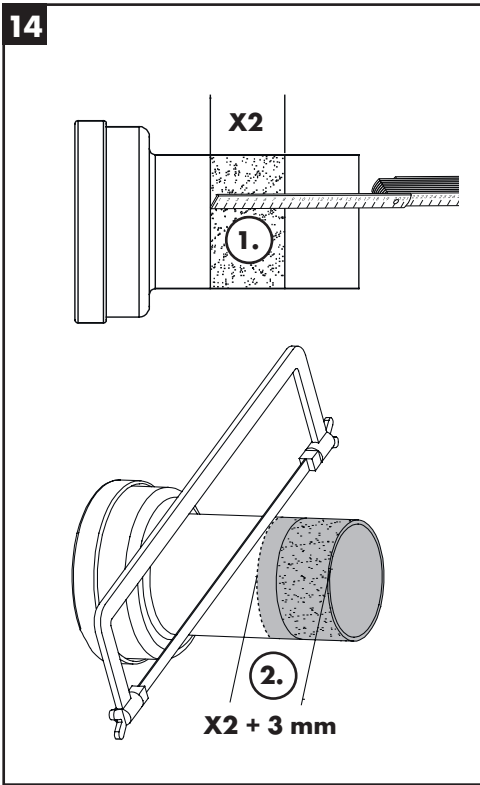
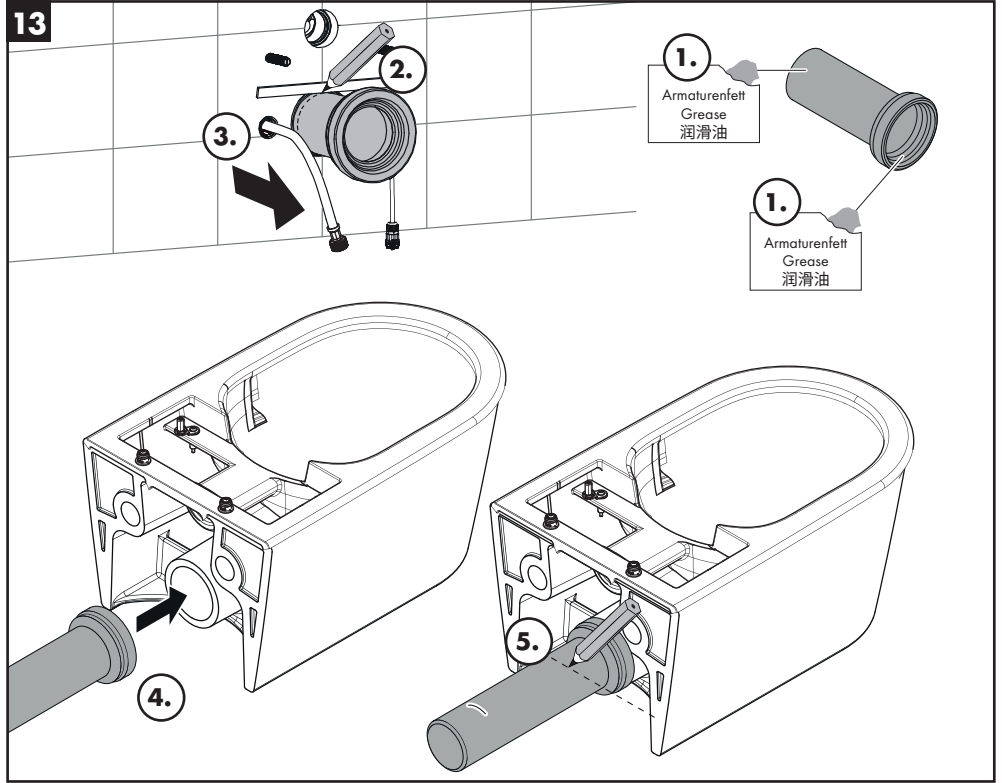
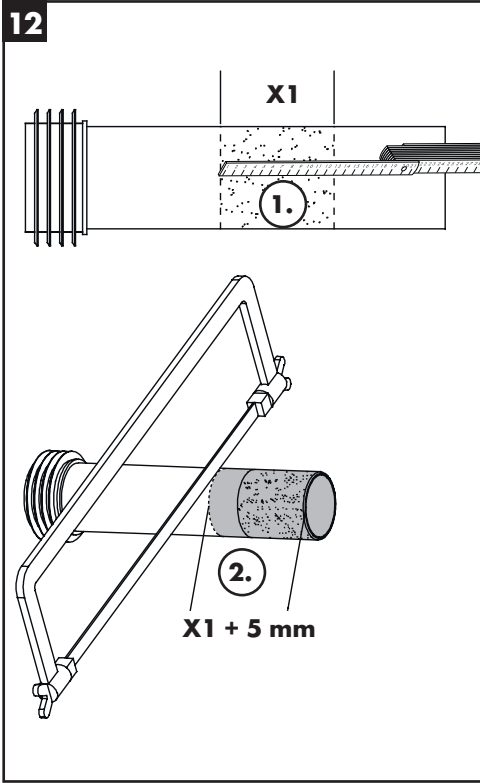
 **Test certificate** (see page 16)

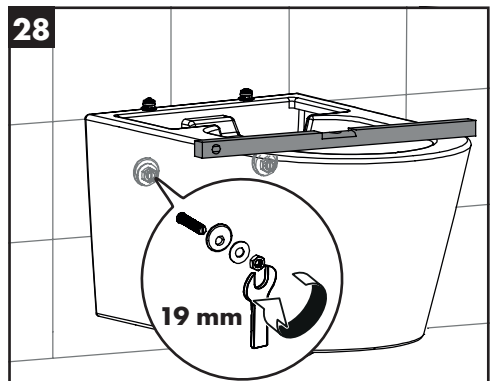
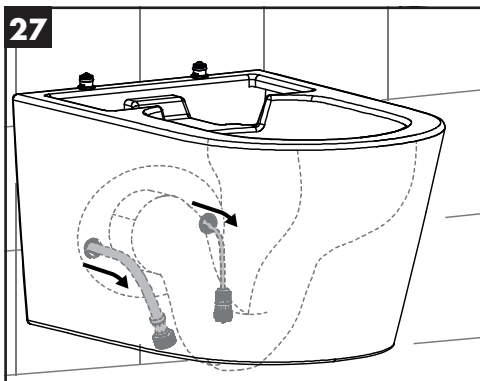
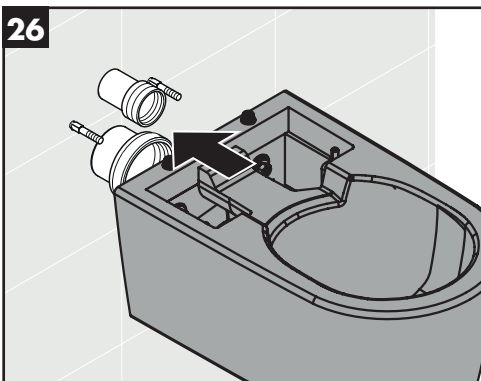
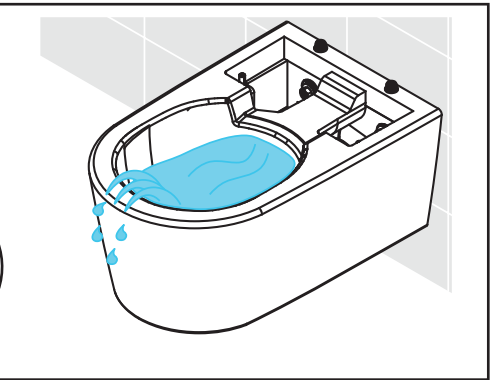
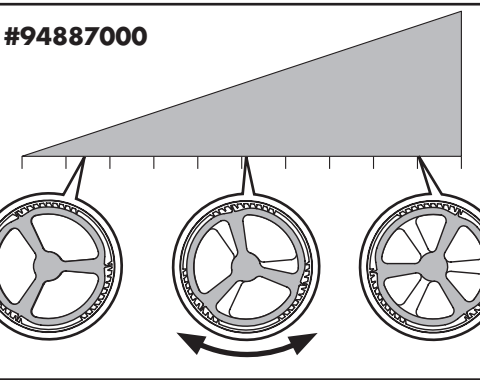
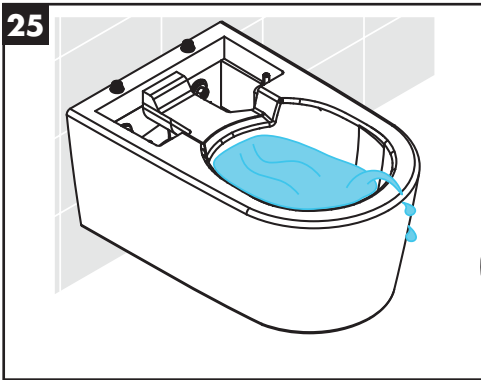
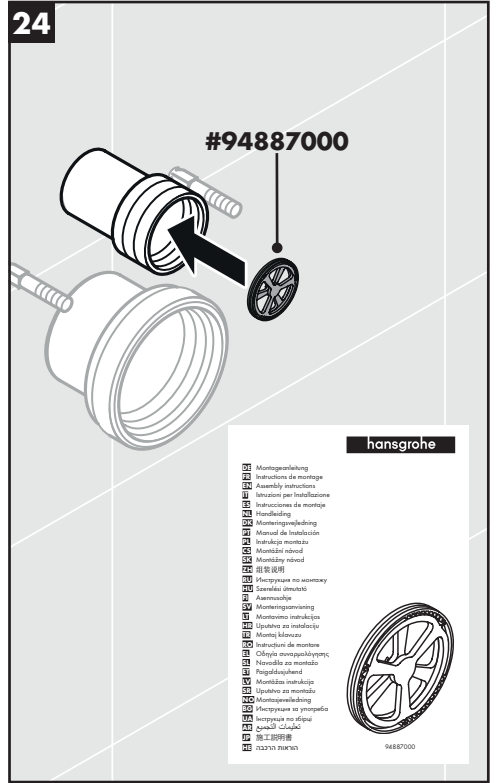
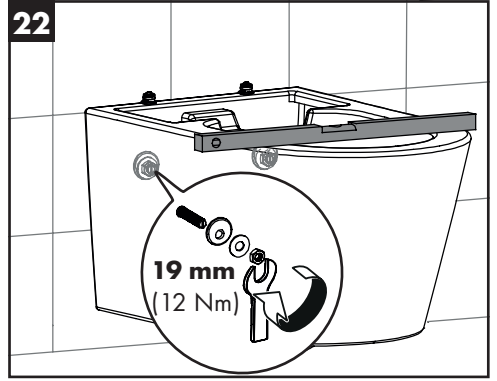
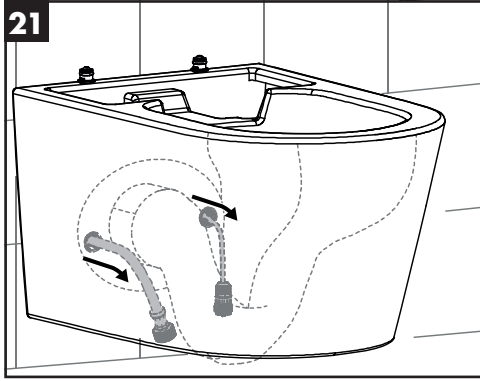
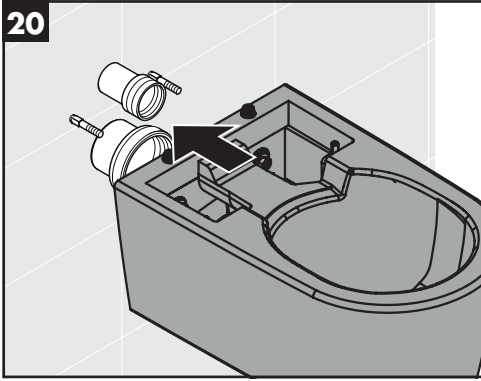
 **Disposal of waste batteries and old Electrical & Electronic Equipment** (applicable in the European Union and other European countries with separate collection systems).

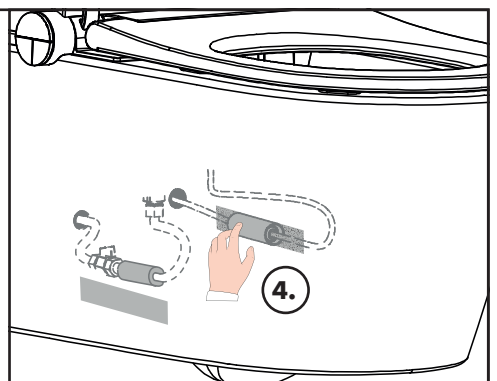
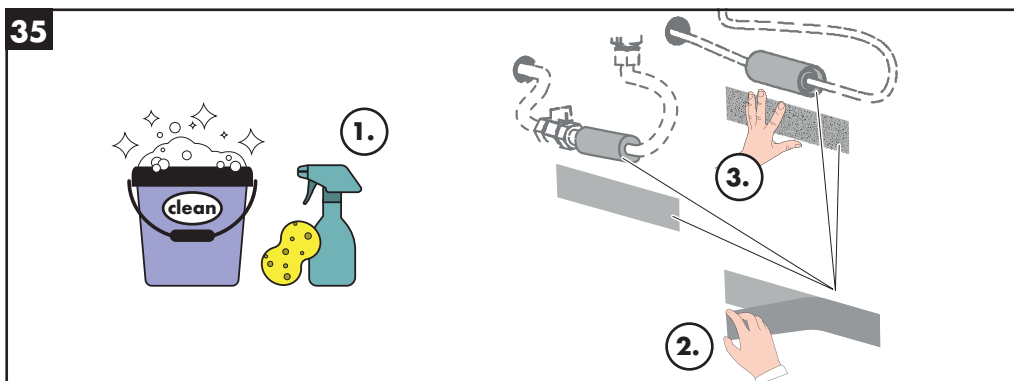
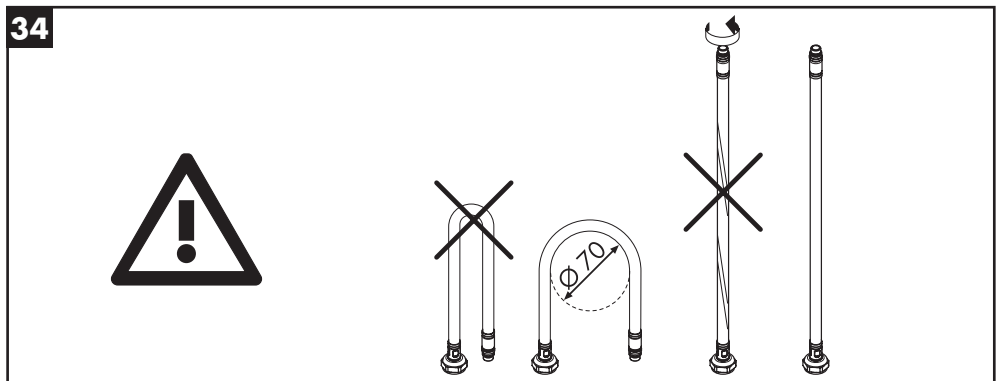
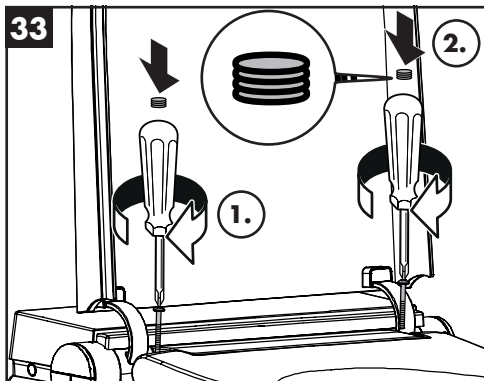
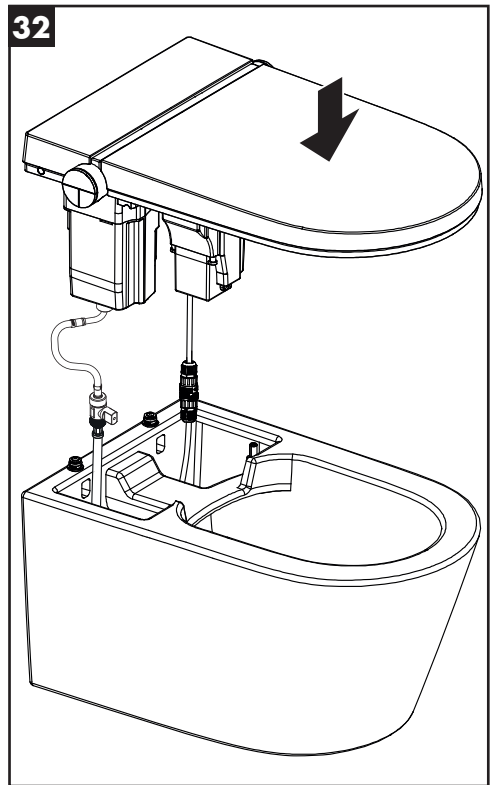
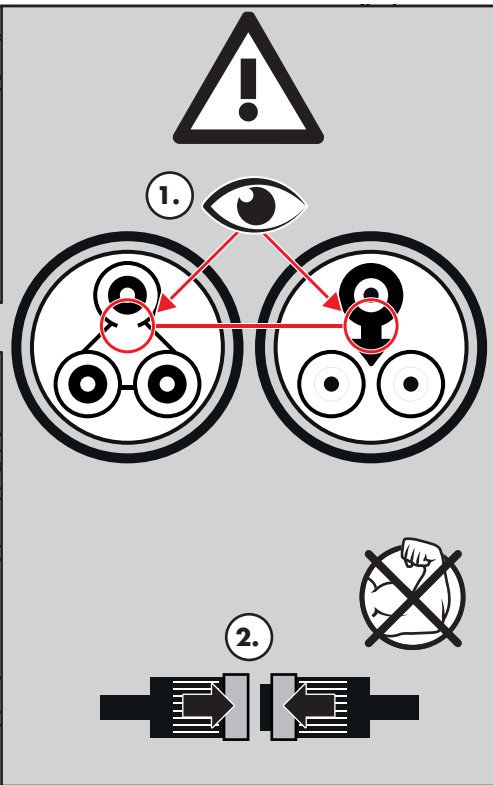
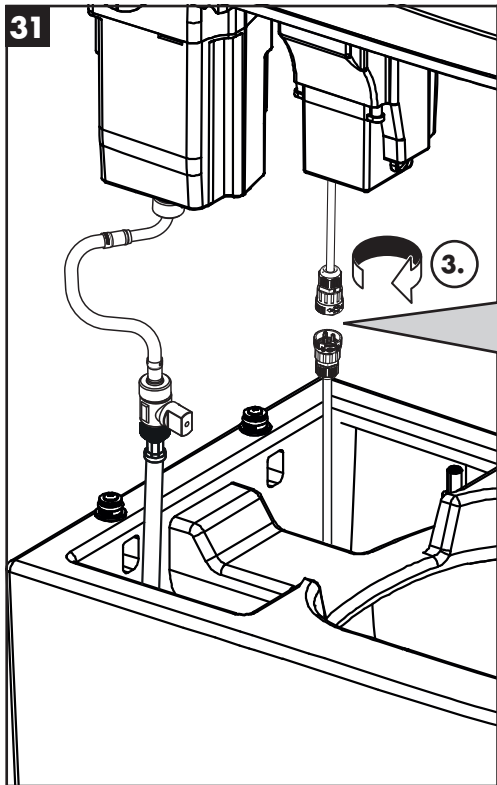
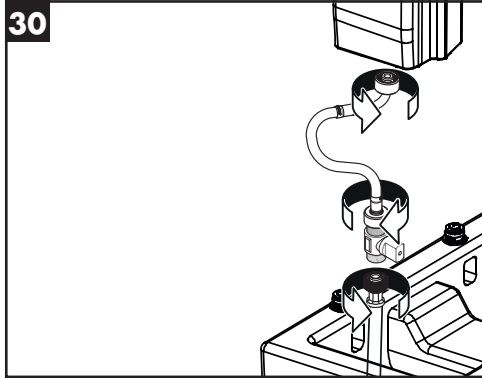
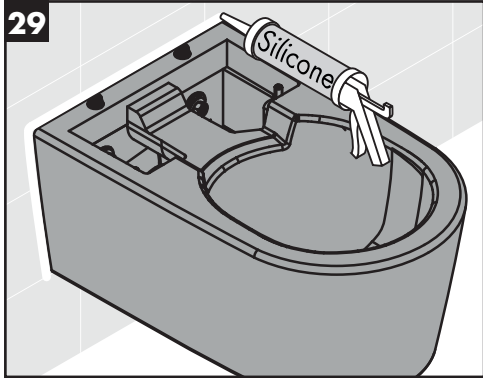
This symbol on the battery, the product or the packaging indicates that the battery or the product shall not be treated as household waste. By ensuring the battery or product are disposed of correctly, you will help prevent potentially negative consequences for the environment and human health. The recycling of the materials will help to conserve natural resources. To ensure that the battery or product will be treated properly, hand over the product at end-of-life to the applicable collection point for the recycling of batteries, electrical and electronic equipment. For more detailed information about recycling of this product or battery, please contact your local Civic Office, your household waste disposal service or the shop where you purchased the product.

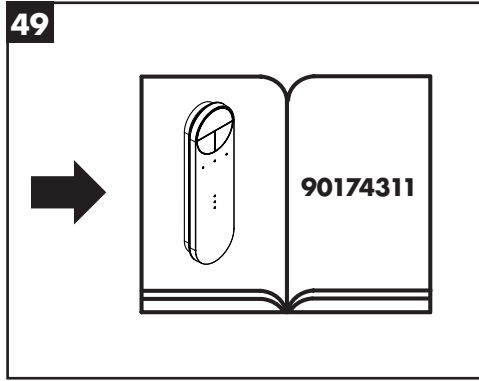
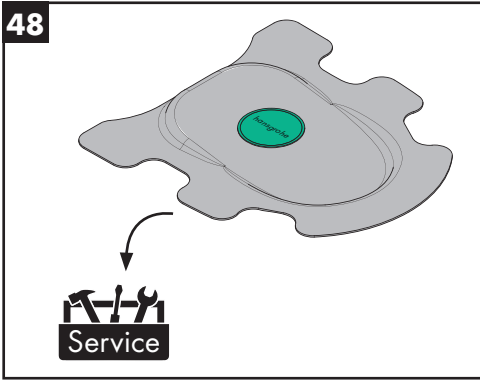
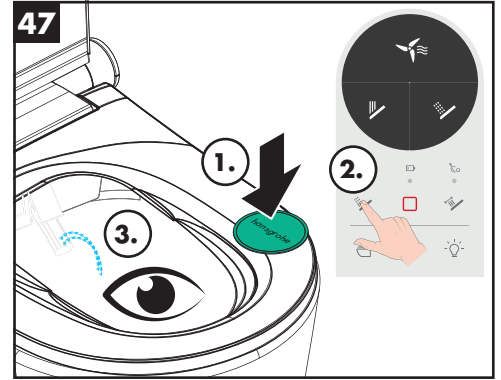
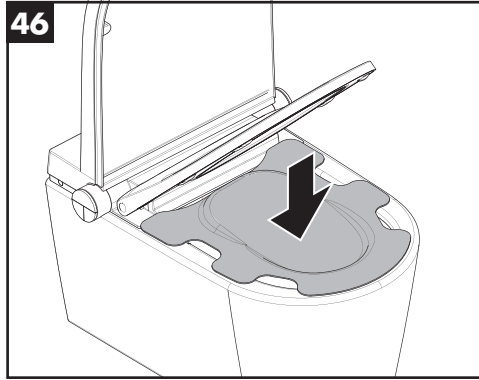
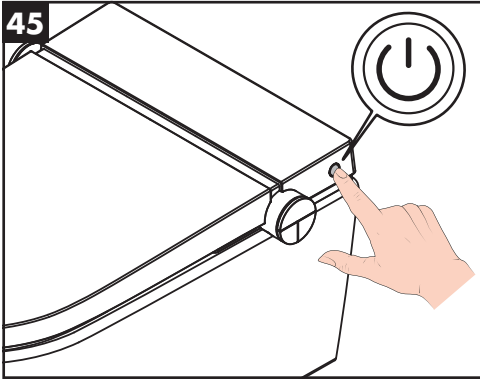
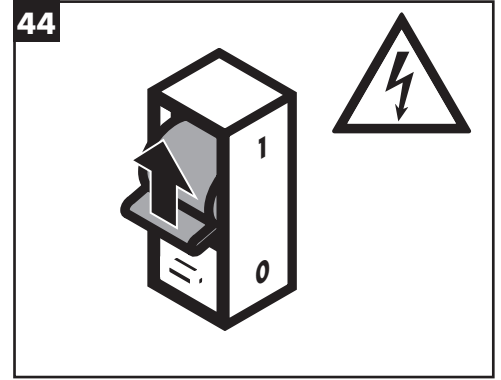
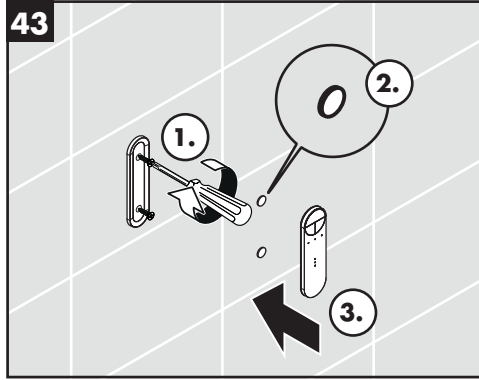
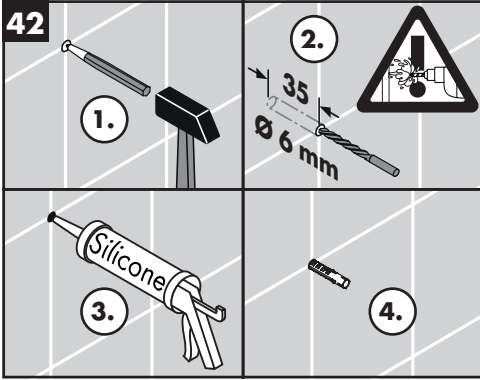
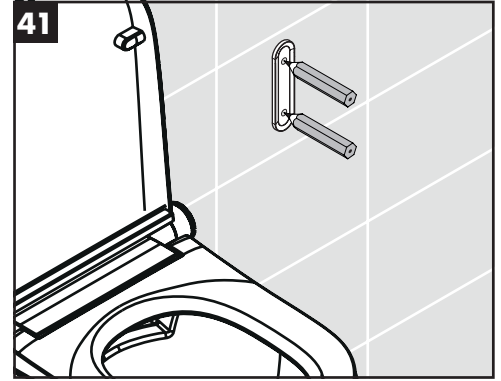
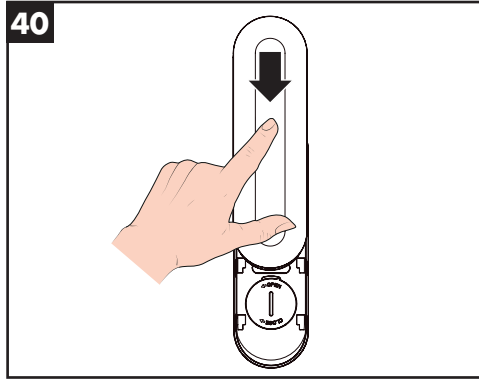
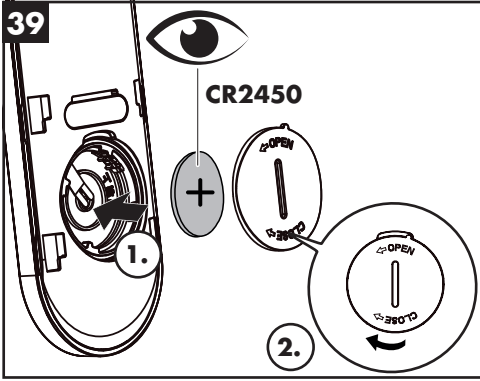
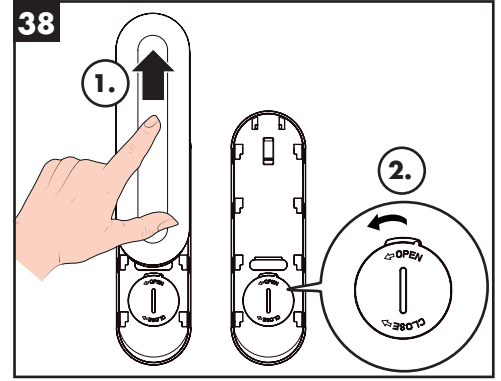
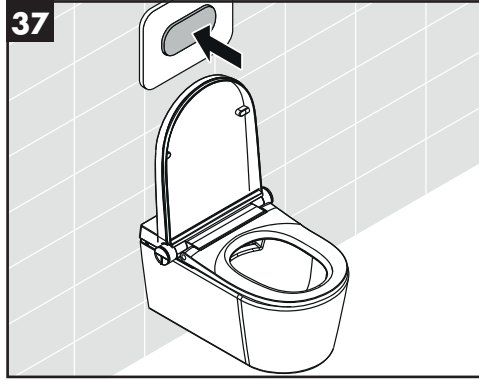
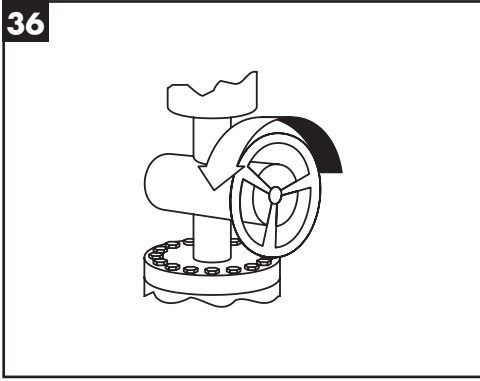
Fault	Cause	Remedy
No flushing	- The water inlet hose is kinked - Ball valve closed - Water supply interrupted	- Remove kink by increasing the bending radius - Open ball valve - Ensure water supply
Shower rod does not retract	- Obstruction due to impurities	- Remove impurities
Remote control not working	- Battery inserted incorrectly - Battery empty	- Insert battery correctly - Replace battery (CR2450 3V)
Odor extraction continues after user leaves	- Normal procedure	
Residual current device frequently trips	- There is a problem with the device	- Turn off the power supply and contact the installer.
Other faults / Fault not resolved	- If the error persists after taking the above measures or another error occurs, turn off the power supply and contact the installer.	

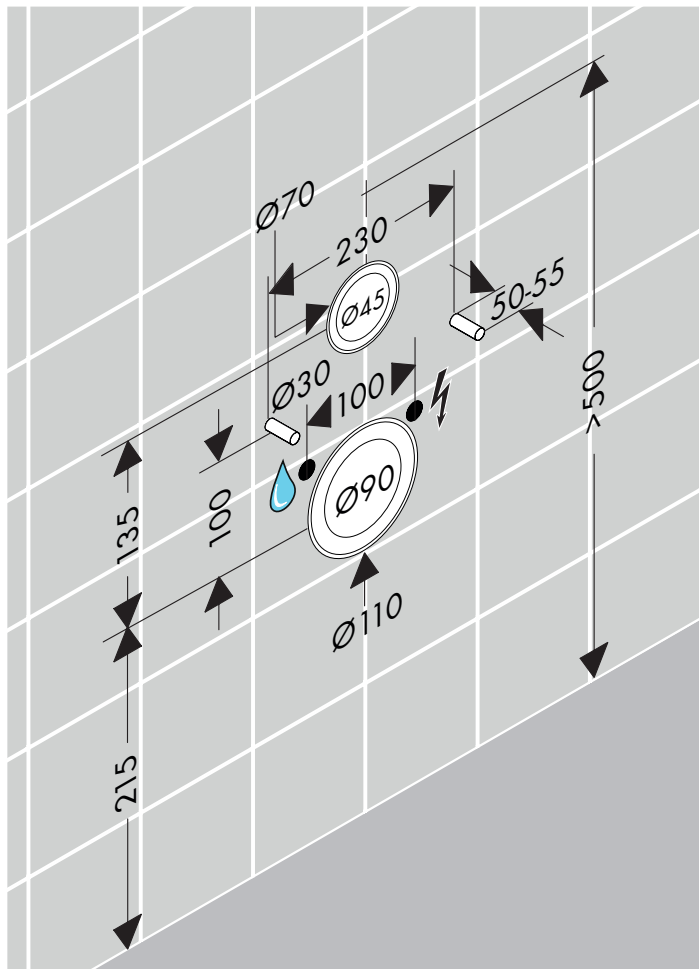
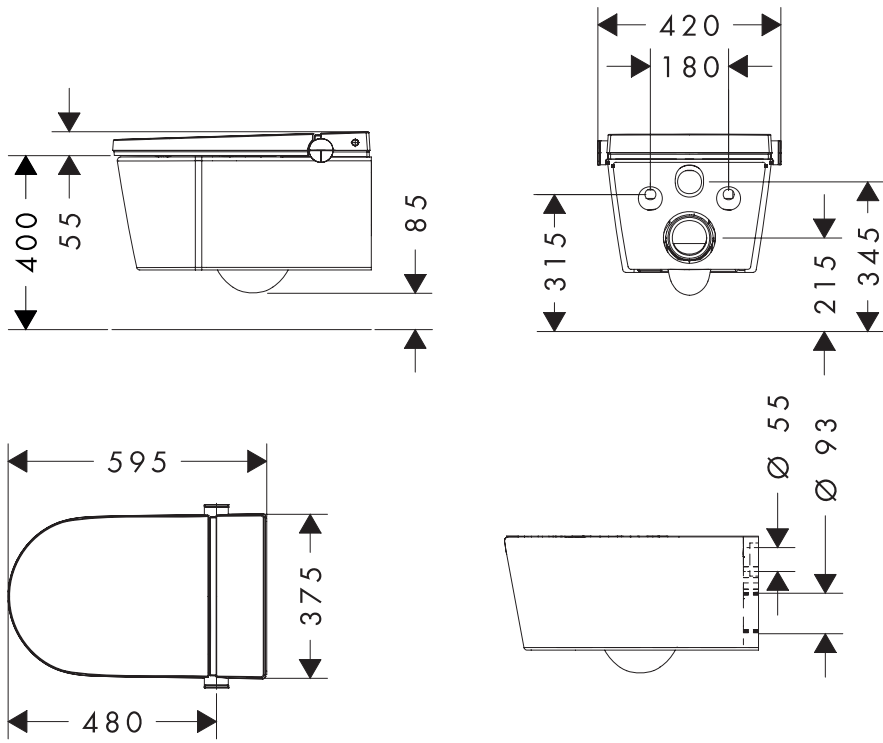


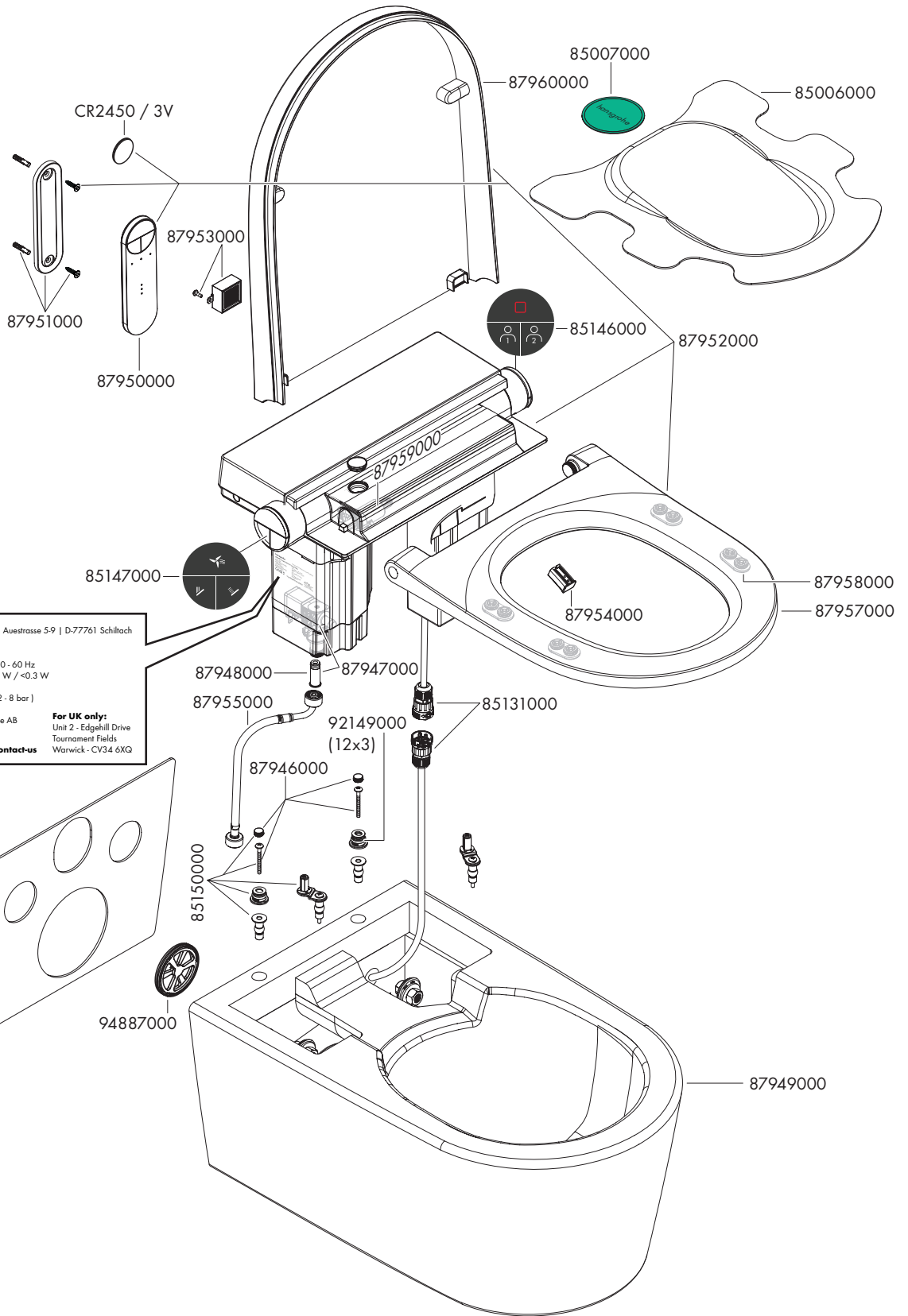












**hansgrohe** Hansgrohe SE | Auestrasse 5-9 | D-77761 Schiltach

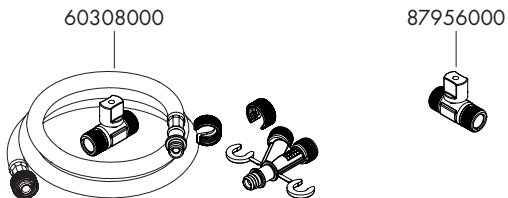
**63021450 - LavaPura Element 5 - Shower Toilet**

Power supply:	220 - 240 V~ 50 - 60 Hz
Power (rated/max/standby):	1025 W / 1500 W / <0.3 W
Protection type:	IPX4
Water inlet pressure:	0.2 - 0.8 MPa (2 - 8 bar)
Maximum environment temp.:	40 °C
Backflow protection:	EN 13077 / Type AB
	PI-X 38943 / I

**For UK only:**  
Unit 2 - Edgemoor Drive  
Tournant Fields  
Warwick - CV34 6XQ

[www.hansgrohe.com/contact-us](http://www.hansgrohe.com/contact-us)

**Sonderzubehör /  
Accessoires en option /  
Special accessories /  
Accessori speciali /  
Opcional /  
Toebehoren /  
Specialtilbehør /**





P-IX

DVGW



ETA

**63021450**

P-IX 38943/I



**hansgrohe**

Hansgrohe · Austraße 5 · 9 · D-77761 Schiltach · Telefon +49 (0) 78 36/51-1282 · Telefax +49 (0) 7836/511440  
E-Mail: [info@hansgrohe.com](mailto:info@hansgrohe.com) · Internet: [www.hansgrohe.com](http://www.hansgrohe.com)