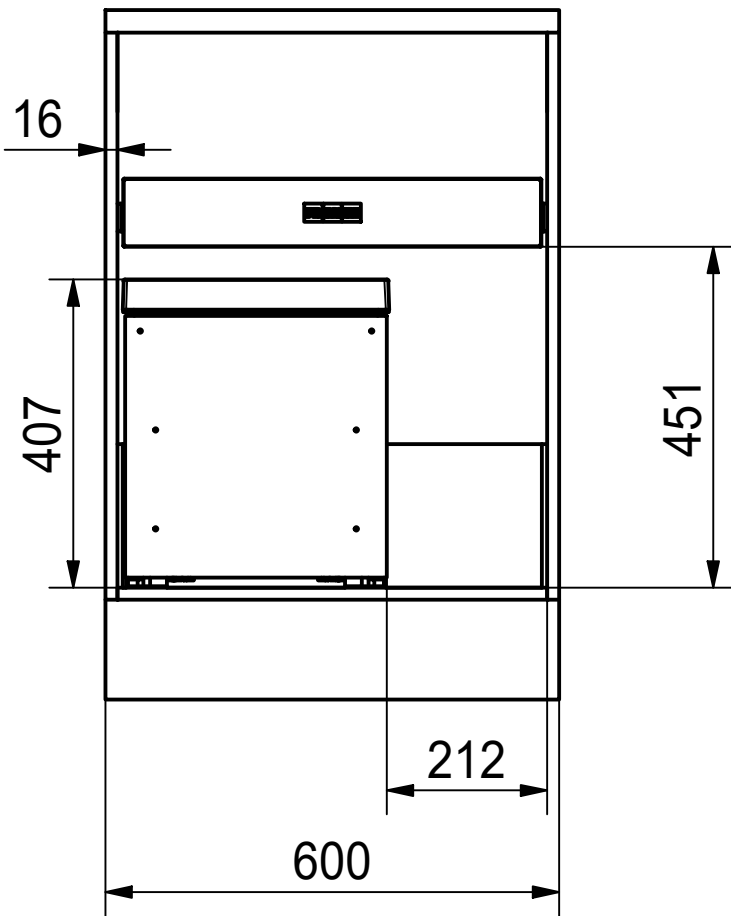


DF



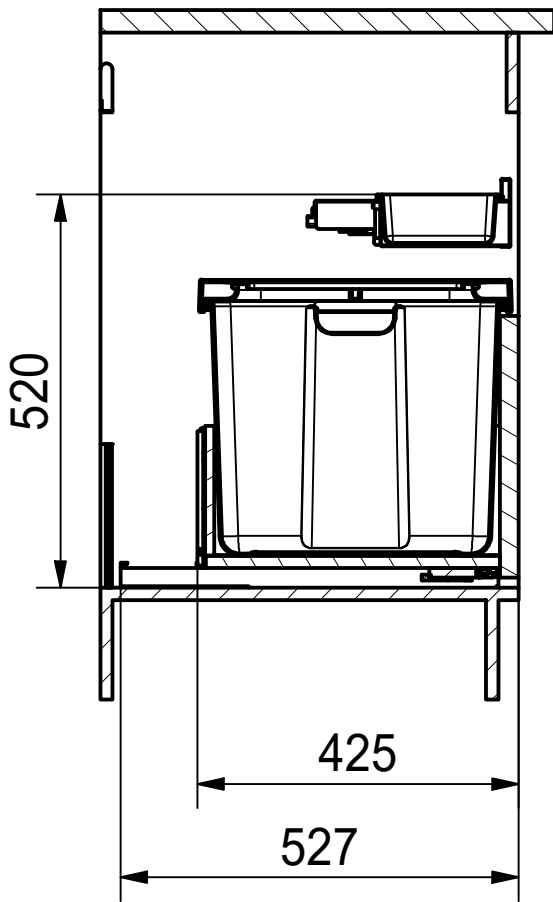
Drawing No.	20285532_01	Revision	-
Drawn Date	04.06.2025		
These drawings and specifications are the property of Franke Technology and Trademark Ltd., Hergiswil, Switzerland.			



Sorter Mythos water hub

Sheet	Sheets
1	6

DS



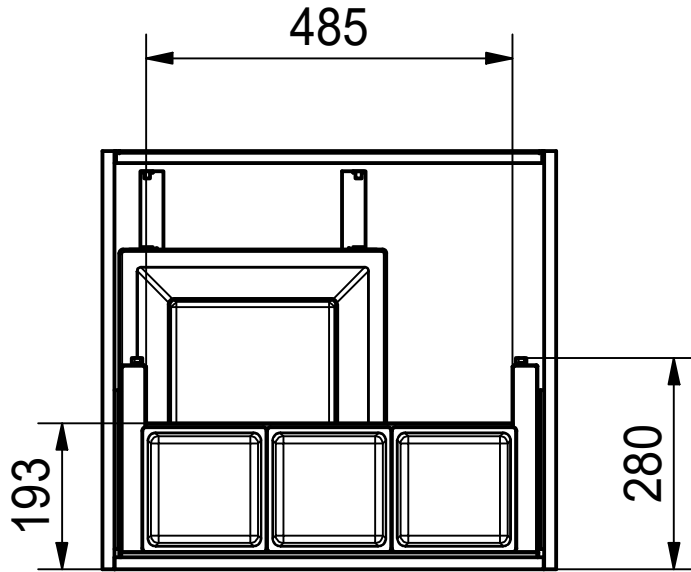
Drawing No.	20285532_01	Revision	-
Drawn Date	04.06.2025		
These drawings and specifications are the property of Franke Technology and Trademark Ltd., Hergiswil, Switzerland.			



Sorter Mythos water hub

Sheet	Sheets
2	6

DT



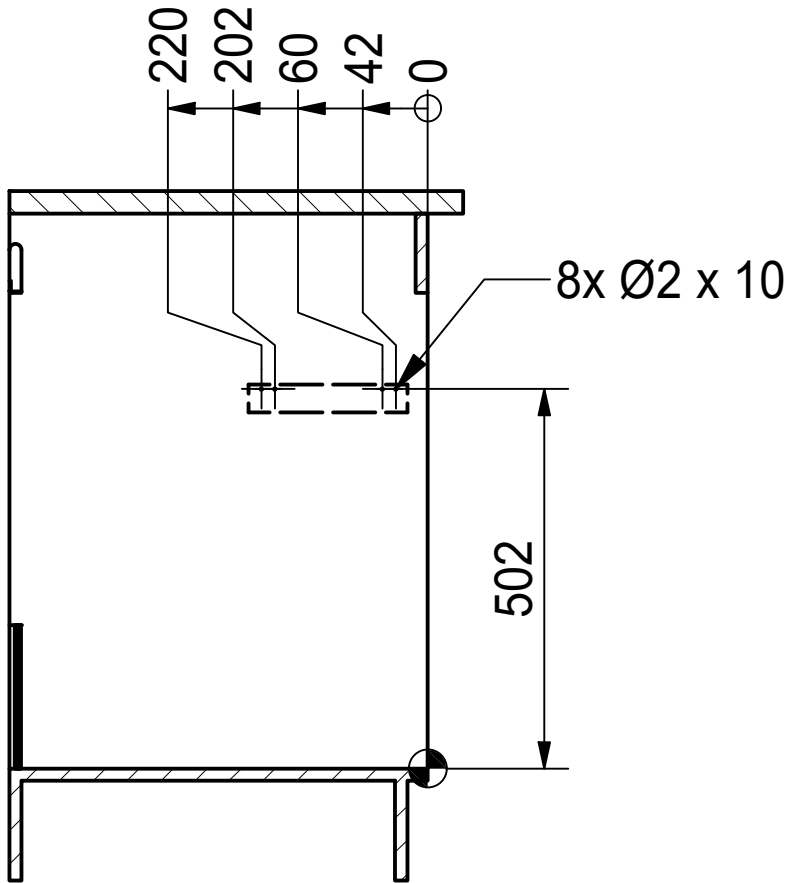
Drawing No.	20285532_01	Revision	-
Drawn Date	04.06.2025		
These drawings and specifications are the property of Franke Technology and Trademark Ltd., Hergiswil, Switzerland.			



Sorter Mythos water hub

Sheet	Sheets
3	6

CNC sidewall



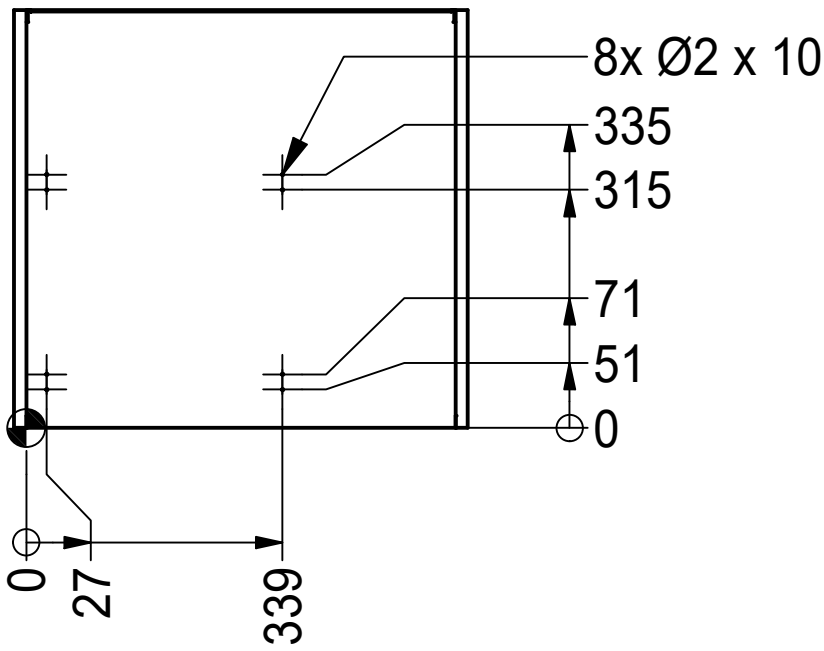
Drawing No.	20285532_01	Revision	-
Drawn Date	04.06.2025		
These drawings and specifications are the property of Franke Technology and Trademark Ltd., Hergiswil, Switzerland.			



Sorter Mythos water hub

Sheet	Sheets
4	6

CNC bottom



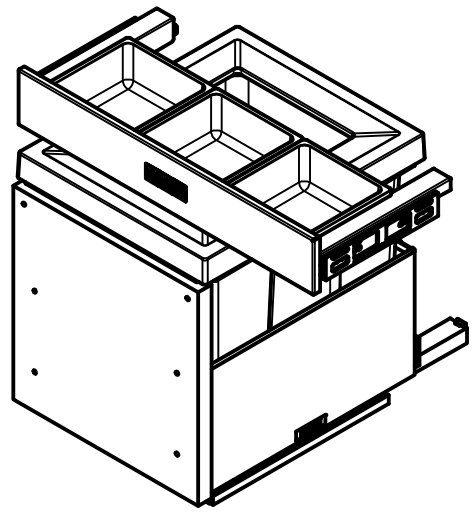
Drawing No.	20285532_01	Revision	-
Drawn Date	04.06.2025		
These drawings and specifications are the property of Franke Technology and Trademark Ltd., Hergiswil, Switzerland.			



Sorter Mythos water hub

Sheet	Sheets
5	6

ISO



Drawing No.	20285532_01	Revision	-
Drawn Date	04.06.2025		
These drawings and specifications are the property of Franke Technology and Trademark Ltd., Hergiswil, Switzerland.			



Sorter Mythos water hub

Sheet	Sheets
6	6