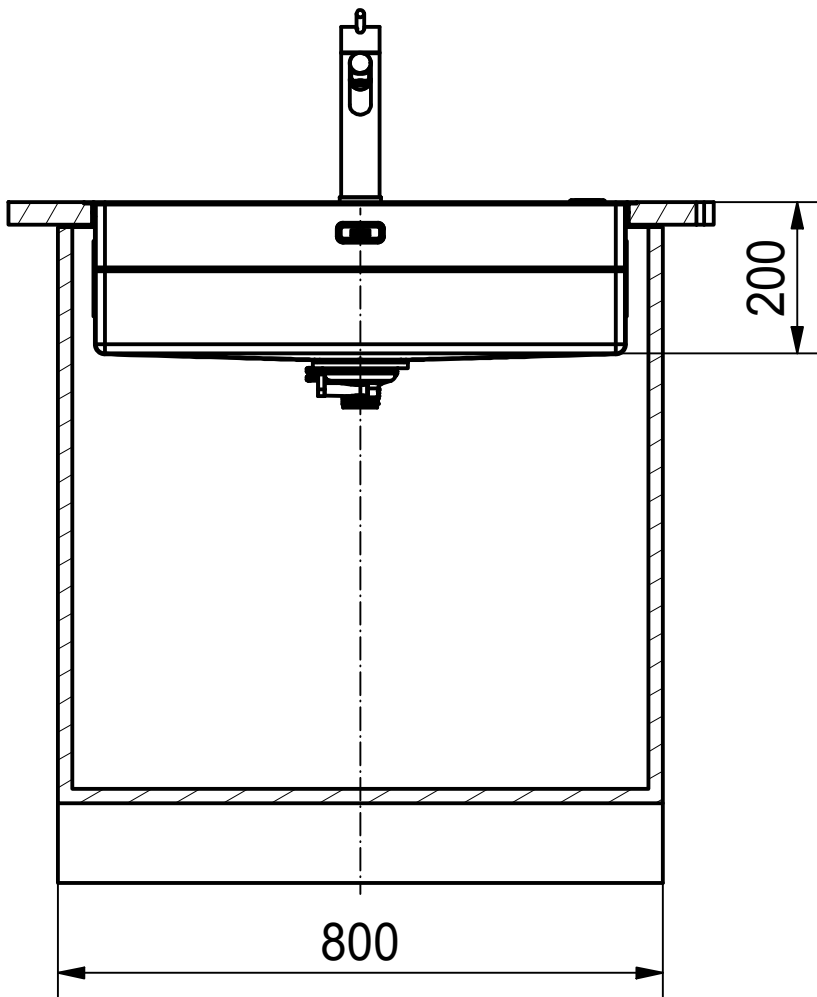


DF



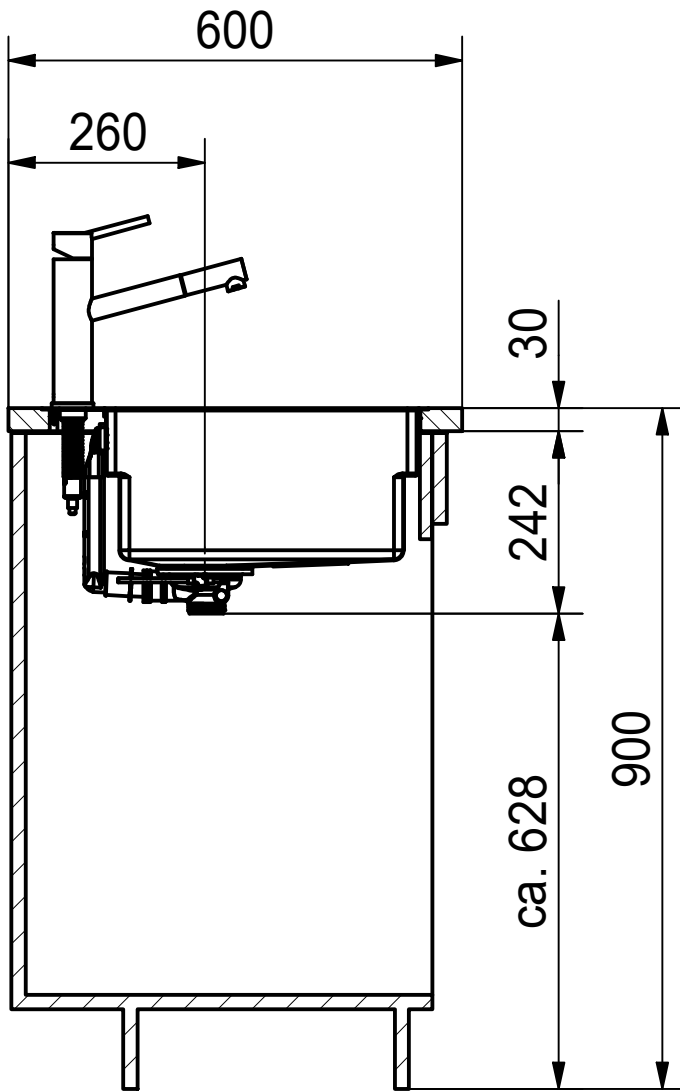
Drawing No.	20285496_01	Revision	-
Drawn Date	03.06.2025		
These drawings and specifications are the property of Franke Technology and Trademark Ltd., Hergiswil, Switzerland.			



BXX Pro 210-70 TL SI
Installing document

Sheet	Sheets
1	6

DS



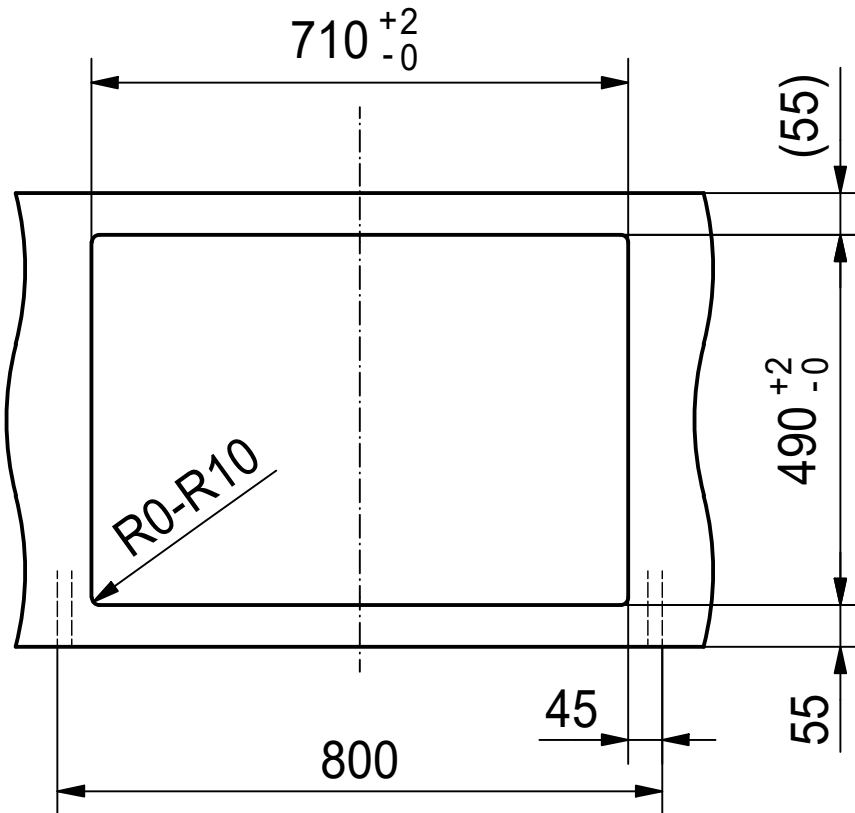
Drawing No.	20285496_01	Revision	-
Drawn Date	03.06.2025		
These drawings and specifications are the property of Franke Technology and Trademark Ltd., Hergiswil, Switzerland.			



BXX Pro 210-70 TL SI
Installing document

Sheet	Sheets
2	6

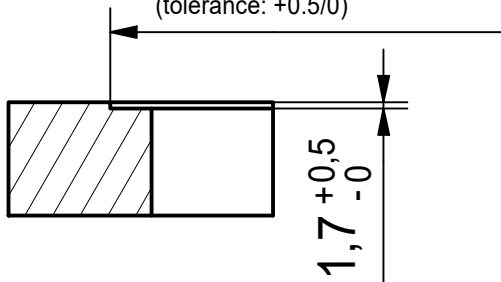
CO



for flush fit only

732 x 512 x R11

(tolerance: +0.5/0)



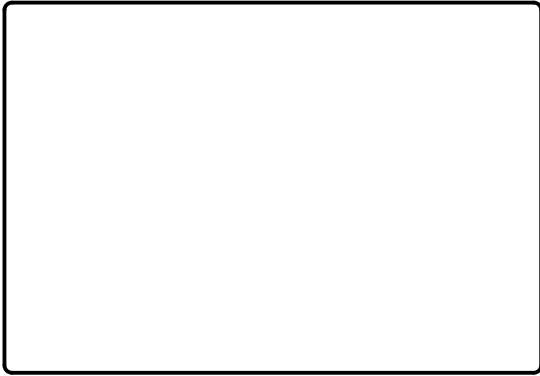
Drawing No.	20285496_01	Revision	-
Drawn Date	03.06.2025		
These drawings and specifications are the property of Franke Technology and Trademark Ltd., Hergiswil, Switzerland.			

FRANKE

BXX Pro 210-70 TL SI
Installing document

Sheet	Sheets
3	6

CNC



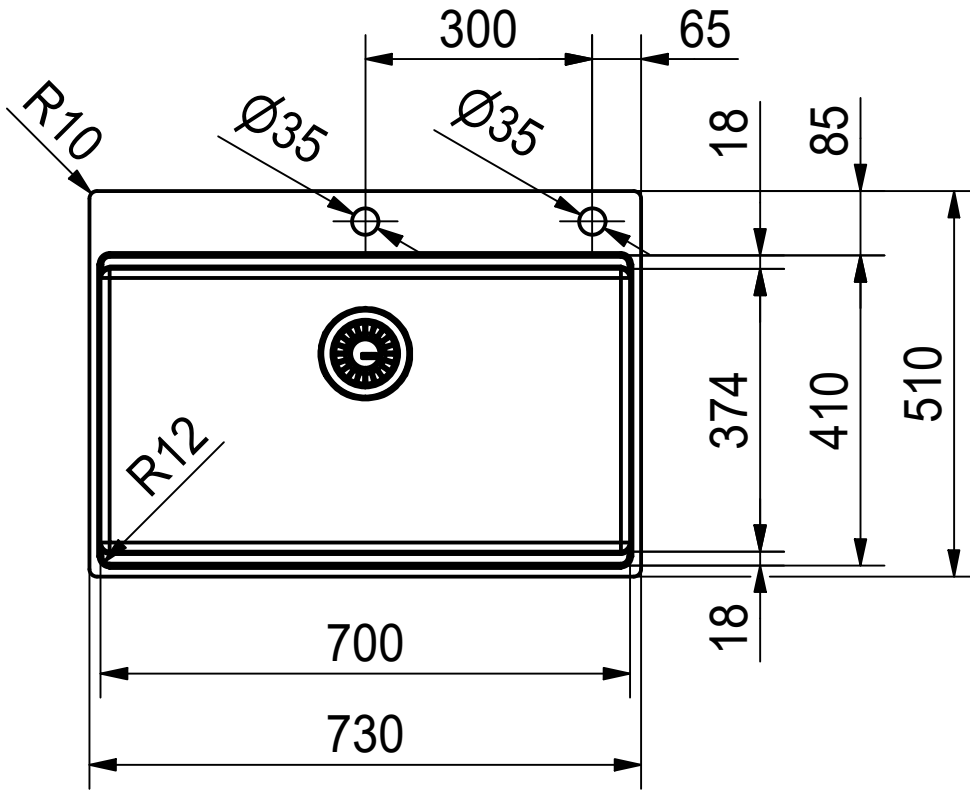
Drawing No.	20285496_01	Revision	-
Drawn Date	03.06.2025		
These drawings and specifications are the property of Franke Technology and Trademark Ltd., Hergiswil, Switzerland.			



BXX Pro 210-70 TL SI
Installing document

Sheet	Sheets
4	6

DT



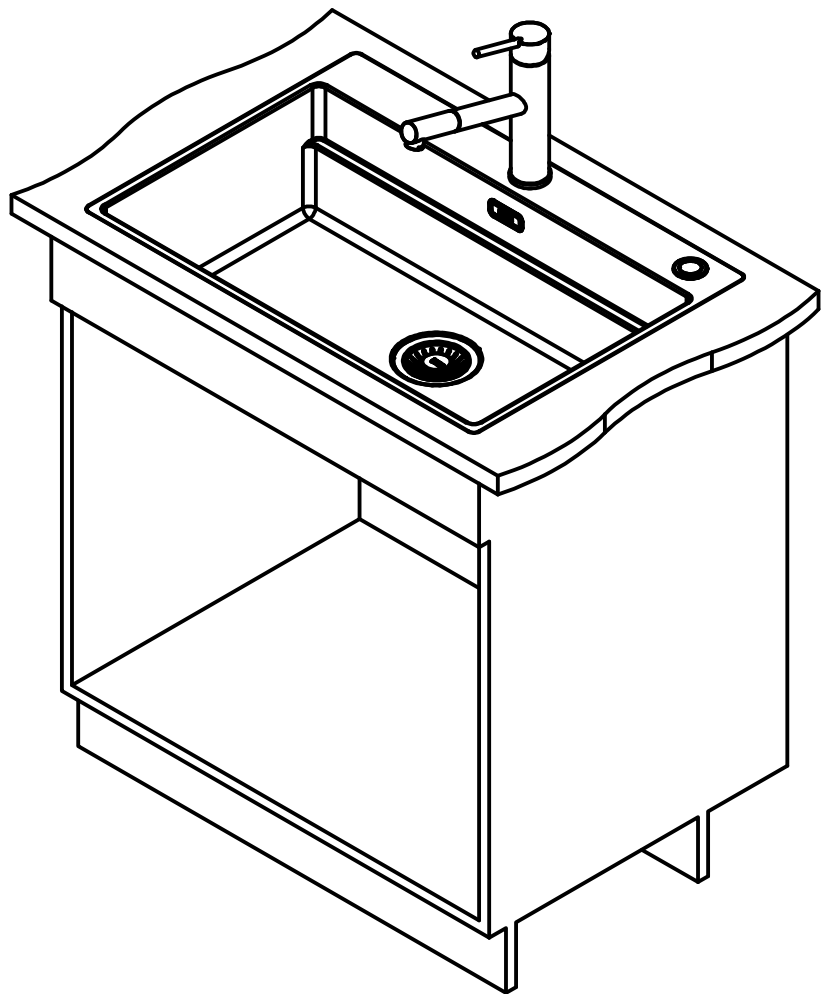
Drawing No.	20285496_01	Revision	-
Drawn Date	03.06.2025		
These drawings and specifications are the property of Franke Technology and Trademark Ltd., Hergiswil, Switzerland.			



BXX Pro 210-70 TL SI
Installing document

Sheet	Sheets
5	6

ISO



Drawing No.	20285496_01	Revision	-
Drawn Date	03.06.2025		
<small>These drawings and specifications are the property of Franke Technology and Trademark Ltd., Hergiswil, Switzerland.</small>			



BXX Pro 210-70 TL SI
Installing document

Sheet	Sheets
6	6